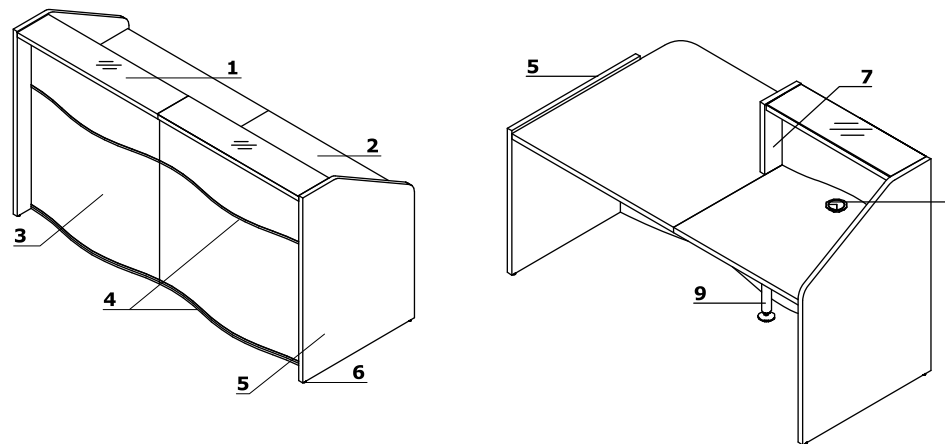


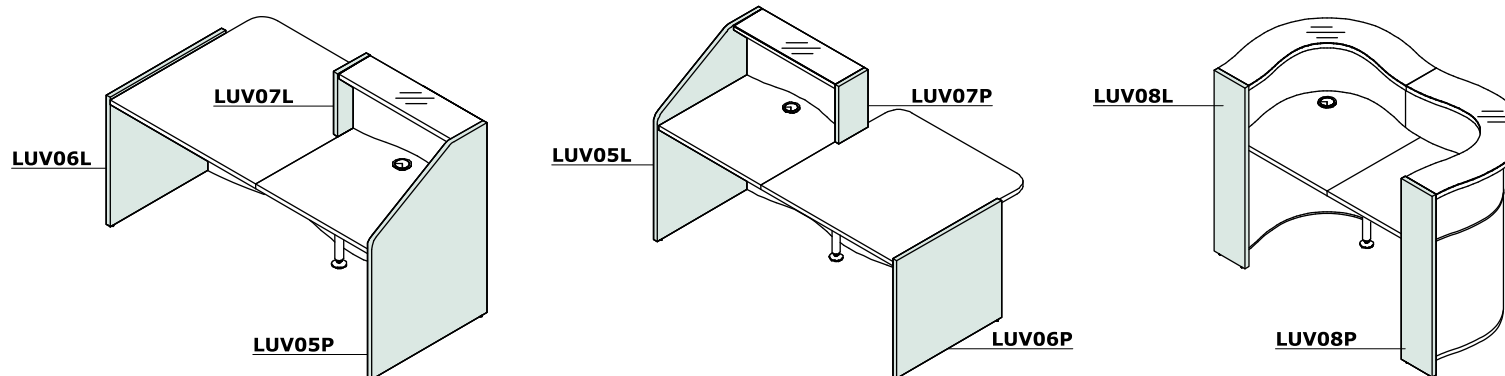
## Technical specification

- 1 Top** - MFC 1 1/8" (28 mm) + Glacc LACOBEL 1/8" (4 mm) (1 2/8" (32 mm));
- 2 Worktop** - MFC 1 1/8" (28 mm), ABS edge 1/8" (2 mm)
- 3 Front** - HPL - high gloss
- 4 Decorative stripe** - PVC, color: M009 - aluminum semi-matt
- 5 Low side panel** - MFC 1 1/8" (28 mm), ABS edge 1/8" (2 mm)
- 6 Leveling** - 2/8" (5 mm) range
- 7 Side panel linking low and heigh fronts** - MFC 1 1/8" (28 mm), ABS edge 1/8" (2 mm)
- 8 Cable grommets** - Ø3 1/8 (Ø80 mm)
- 9 Supporting leg NE41** - required for connecting the tops



ATTENTION - Interior of the front in white

## Ending elements application



Dimensions (inch/mm)

