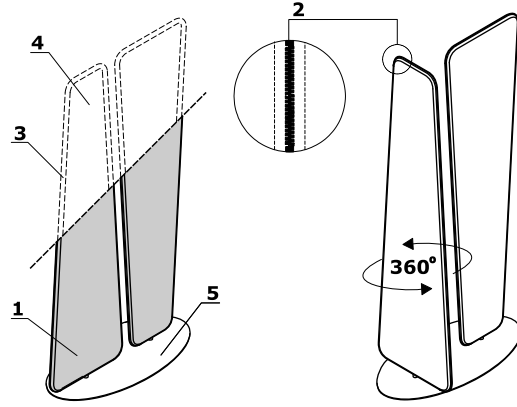


### Freestanding screens

- 1 Screen** - upholstered, Sonic technology structure with A-class acoustics certificate, pinnable
- 2 Zip fastener**
- 3 Frame** - steel pipe
- 4 Filling** - acoustic nonwoven with high sound absorption and dispersion properties
- 5 Foot** - powder coated metal
- 6 Rotation 360°** - each panel rotates independently



### Dimensions (inch/mm)

