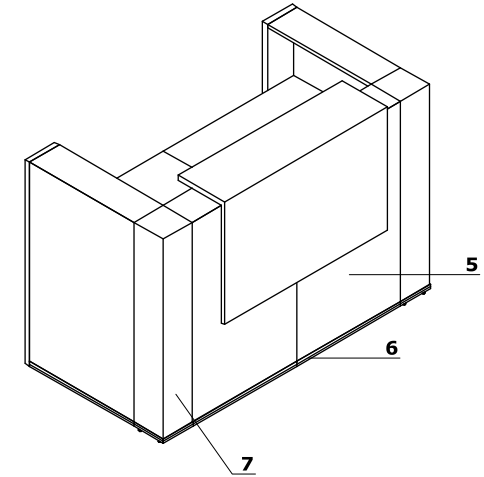
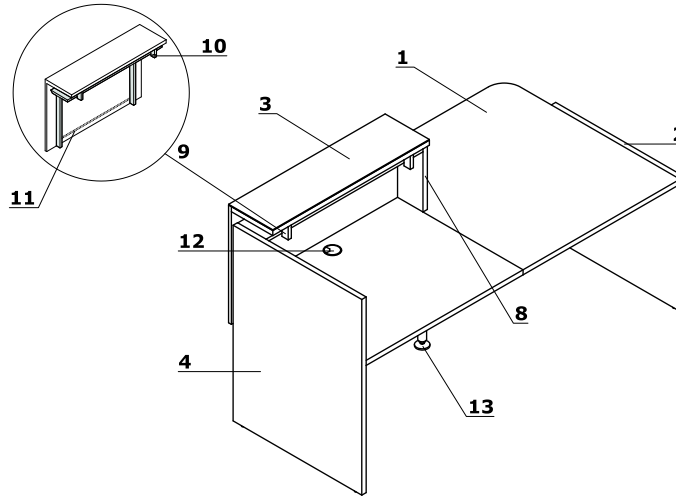
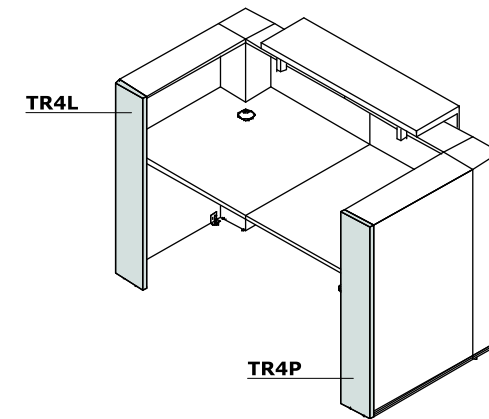
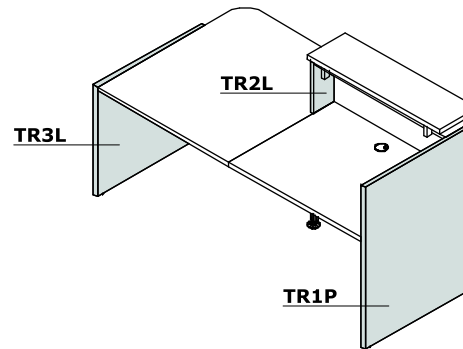
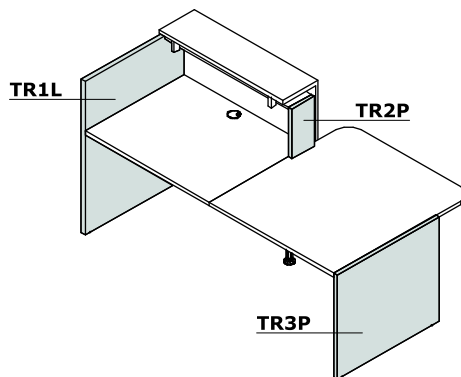


Technical specification

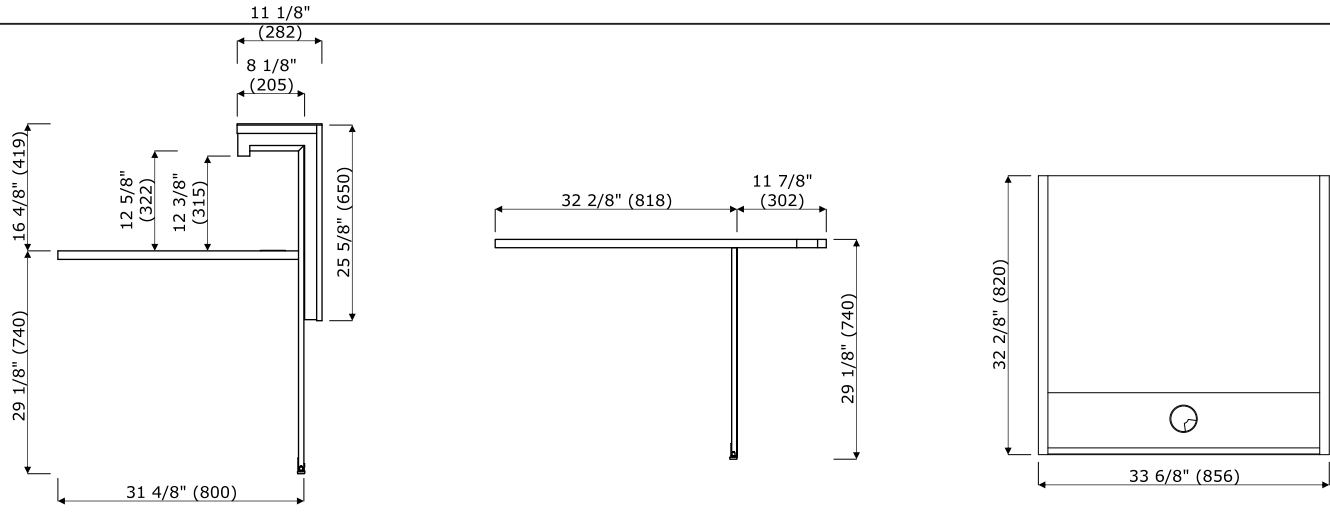
- 1 Worktop** - MFC 1 1/8" (28 mm), ABS edge 1/8" (2 mm)
- 2 Low side panel** - MFC 1 1/8" (28 mm), ABS edge 1/8" (2 mm)
- 3 Top element TR99** - top MFC 1 1/8"(28 mm) + Glass LACOBEL 1/8" (4 mm), front MFC 6/8" (18 mm), coated with HPL gloss
- 4 High side panel** - MFC 1 1/8" (28 mm), ABS edge 1/8" (2 mm)
- 5 Front** - MFC 6/8" (18 mm), ABS edge 1/8" (2 mm)
- 6 Decorative stripe** - PVC, color: M009 - aluminum semi-matt
- 7 Corner unit** - melamine board covered with HPL - gloss
- 8 Side panel linking low and heigh fronts** - MFC 1 1/8" (28 mm), ABS edge 1/8" (2 mm)
- 9 Frame to optional top element with lightening** - metal powder-coated, white color
- 10 Light switch**
- 11 LED illumination TR99** - cold white color (verging on the blue shade);
- 12 Cable grommets** - Ø3 1/8 (Ø80 mm)
- 13 Supporting leg NE41** - required for connecting the tops



Ending elements application



Dimensions (inch/mm)



Dimensions - monitor shelf (inch/mm)

