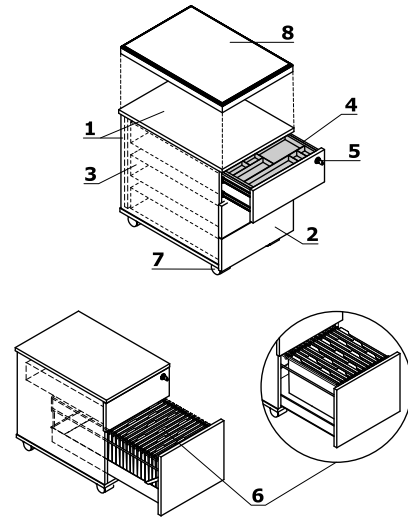


Mobile pedestal without handles

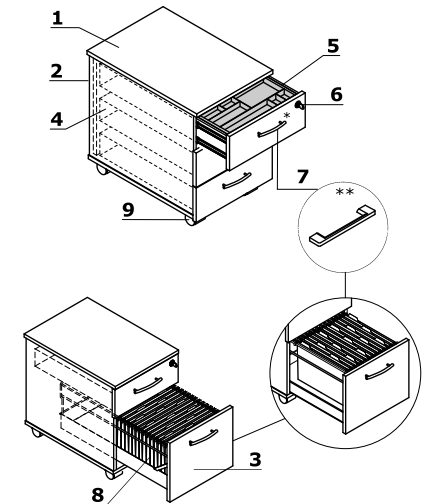
- 1 **Body** - MFC 18 mm, ABS edge 2 mm
- 2 **Front** - MFC 18 mm, ABS edge 2 mm
- 3 **Metal drawer** - roll runners, max load 25 kg, 80% extraction, anti-tilt mechanism; OPTION WITH EXTRA CHARGE - ball runners, soft-closing system
- 4 **Pencil tray** - plastic, colour: black
- 5 **Central lock** - foldable key
- 6 **Suspension files drawer** - ball runners, max load 30 kg, 100% extraction, A4 folders can be situated parallelly and perpendicularly to the front
- 7 **Castors** - Ø50 mm, two with brakes
- 8 **Optional cushion SKP13** - for pedestal, max load 120 kg, ordered separately



ATTENTION - sitting on the pedestal possible only after mounting the cushion (SKP13); the pedestal with cushion is intended for sitting only - moving the pedestal while sitting may result in damaging the castors

Mobile pedestals

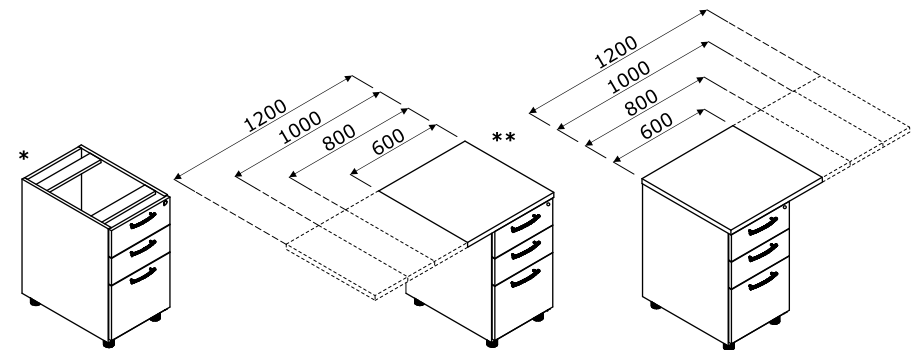
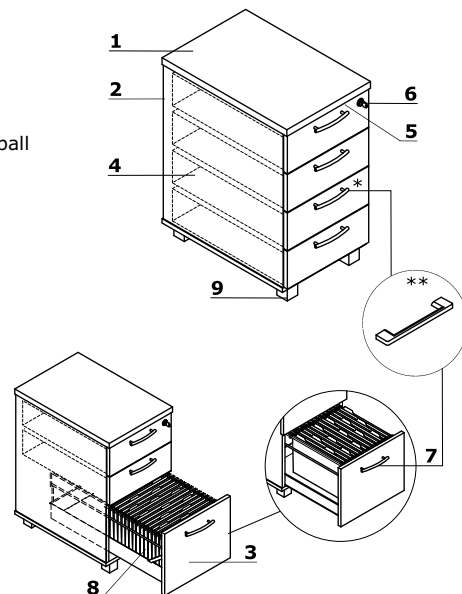
- 1 **Top** - MFC 18 mm, ABS edge 2 mm
- 2 **Body** - MFC 18 mm, ABS edge 2 mm
- 3 **Front** - MFC 18 mm, ABS edge 2 mm
- 4 **Metal drawer** - roll runners, max load 25 kg, 80% extraction, anti-tilt mechanism; OPTION WITH EXTRA CHARGE - ball runners, soft-closing system
- 5 **Pencil tray** - plastic, colour: black
- 6 **Central lock** - foldable key
- 7 **Aluminum handle:**
 - * Standard
 - ** OPTION WITH EXTRA CHARGE - handle Pro - colour: white, black, aluminium
- 8 **Suspension files drawer** - ball runners, max load 30 kg, 100% extraction, A4 folders can be situated parallelly and perpendicularly to the front
- 9 **Castors** - Ø50 mm, two with brakes



ATTENTION - sitting on the pedestal possible only after mounting the cushion (SKP13); the pedestal with cushion is intended for sitting only - moving the pedestal while sitting may result in damaging the castors

Stationary pedestals (mm)

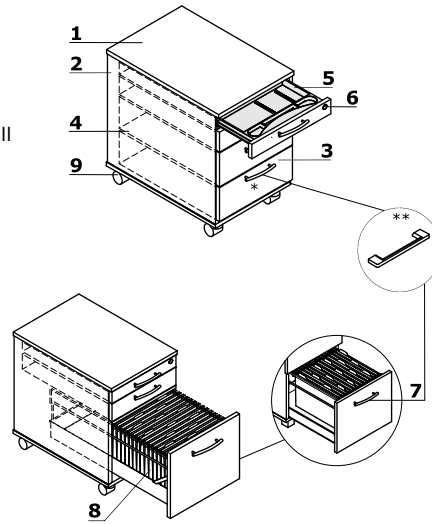
- 1 **Top** - MFC 28 mm, ABS edge 2 mm
- 2 **Body** - MFC 18 mm, ABS edge 2 mm
- 3 **Front** - MFC 18 mm, ABS edge 2 mm
- 4 **Metal drawer** - roll runners, max load 25 kg, 80% extraction, anti-tilt mechanism; OPTION WITH EXTRA CHARGE - ball runners, soft-closing system
- 5 **Pencil tray** - plastic, colour: black
- 6 **Central lock** - foldable key
- 7 **Aluminum handle:**
 - * Standard
 - ** OPTION WITH EXTRA CHARGE - handle Pro - colour: white, black, aluminium
- 8 **Suspension files drawer** - ball runners, max load 30 kg, 100% extraction, A4 folders can be situated parallelly and perpendicularly to the front
- 9 **Leveling** - 10 mm range



* Pedestals without tops

Mobile pedestals with separate pencil drawer

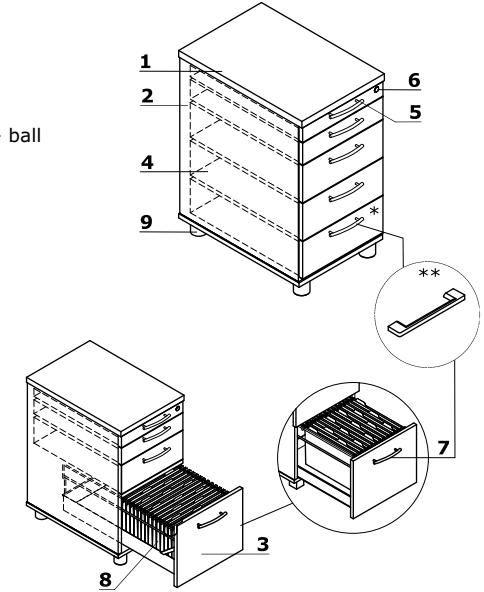
- 1 Top** - MFC 18 mm, ABS edge 2 mm
- 2 Body** - MFC 18 mm, ABS edge 2 mm
- 3 Front** - MFC 18 mm, ABS edge 2 mm
- 4 Metal drawer** - roll runners, max load 25 kg, 80% extraction, anti-tilt mechanism; OPTION WITH EXTRA CHARGE - ball runners, soft-closing system
- 5 Separate pencil drawer**
- 6 Central lock** - foldable key
- 7 Aluminum handle:**
 - * Standard
 - ** OPTION WITH EXTRA CHARGE - handle
- 8 Suspension files drawer** - ball runners, max load 30 kg, 100% extraction, A4 folders can be situated parallelly and perpendicularly to the front
- 9 Castors** - Ø50 mm, two with brakes



ATTENTION - sitting on the pedestal possible only after mounting the cushion (SKP13); the pedestal with cushion is intended for sitting only - moving the pedestal while sitting may result in damaging the castors

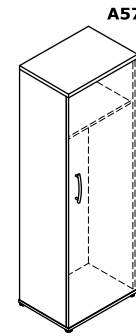
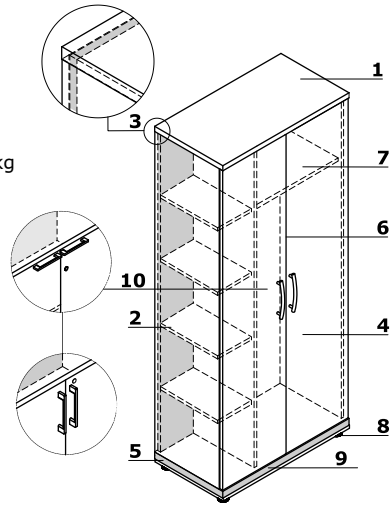
Stationary pedestals with separate pencil drawer

- 1 Top** - MFC 28 mm, ABS edge 2 mm
- 2 Body** - MFC 18 mm, ABS edge 2 mm
- 3 Front** - MFC 18 mm, ABS edge 2 mm
- 4 Metal drawer** - roll runners, max load 25 kg, 80% extraction, anti-tilt mechanism; OPTION WITH EXTRA CHARGE - ball runners, soft-closing system
- 5 Separate pencil drawer**
- 6 Central lock** - foldable key
- 7 Aluminum handle:**
 - * Standard
 - ** OPTION WITH EXTRA CHARGE - handle
- 8 Suspension files drawer** - ball runners, max load 30 kg, 100% extraction, A4 folders can be situated parallelly and perpendicularly to the front
- 9 Leveling** - 10 mm range

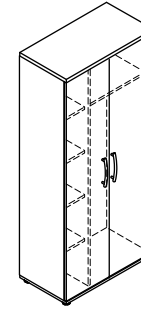


Wardrobes

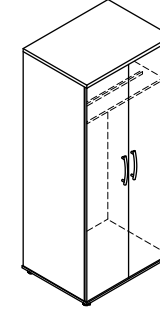
- 1 Top** - MFC 28 mm, ABS edge 2 mm
- 2 Body** - MFC 18 mm, ABS edge 2 mm
- 3 Back MFC** - 18 mm, ABS edges 2 mm
- 4 Front** - MFC 18 mm, ABS edge 2 mm, plain hinge 110°; OPTION WITH EXTRA CHARGE - angle hinge 170°
- 5 Base** - MFC 18 mm, ABS edge 2 mm
- 6 OPTION WITH EXTRA CHARGE** - espagnolette lock - two-point
- 7 Shelf** - MFC 18 mm, protection against accidental falling-out, ABS edge 2 mm, max load 30 kg
- 8 Leveling feet 27 mm** - range 5 mm
- 9 OPTION WITH EXTRA CHARGE** - metal base - colour: M009 - aluminium semi-matt
- 10 Aluminum handle:**
 - Standard
 - OPTION WITH EXTRA CHARGE - Pro (vertical) - colour: white, black, aluminium
 - OPTION WITH EXTRA CHARGE - Pro (horizontal) + espagnolette lock - colour: white, black, aluminium



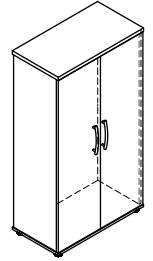
A57P3**



A52P4**



A6204*

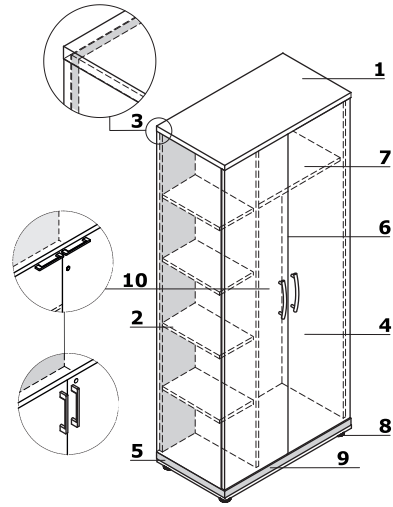


A4204**

* Coat rod ** Slide-out hanger

Wardrobes - glued

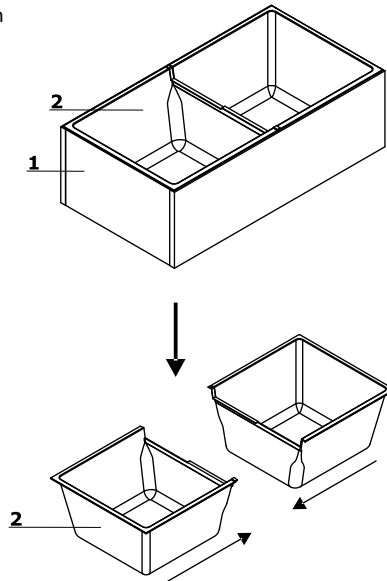
- 1 Top** - MFC 28 mm, ABS edge 2 mm
- 2 Body** - MFC 18 mm, ABS edge 2 mm
- 3 Back MFC** - 12 mm, ABS edges 2 mm; back wall set back 8 mm
- 4 Front** - MFC 18 mm, ABS edge 2 mm, plain hinge 110°; OPTION WITH EXTRA CHARGE - angle hinge 170°
- 5 Base** - MFC 18 mm, ABS edge 2 mm
- 6 OPTION WITH EXTRA CHARGE** - espagnolette lock - two-point
- 7 Shelf** - MFC 18 mm, protection against accidental falling-out, ABS edge 2 mm, max load 30 kg
- 8 Leveling feet 27 mm** - range 5 mm
- 9 OPTION WITH EXTRA CHARGE** - metal base - colour: M009 - aluminium semi-matt
- 10 Aluminum handle:**
 - Standard
 - OPTION WITH EXTRA CHARGE - Pro (vertical) - colour: white, black, aluminium
 - OPTION WITH EXTRA CHARGE - Pro (horizontal) + espagnolette lock - colour: white, black, aluminium



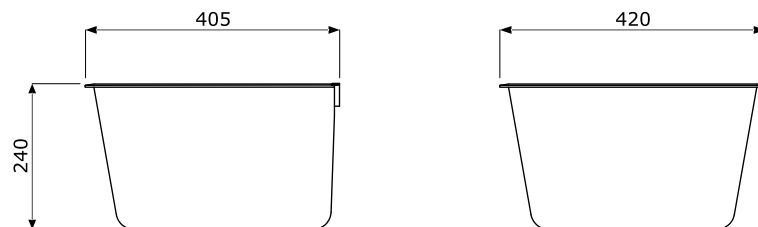
ATTENTION - Delivered assembled, customers have to mount handles and feet.

Plant pots extension units

- 1 **Casing** - chipboard 18 mm, ABS edge 2mm
- 2 **Polypropylene insert** - colour: black; capacity 2x 27,5 l



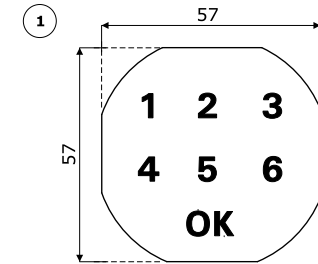
Polypropylene insert - dimensions (mm)



Locks for lockers (mm)

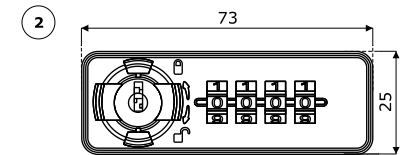
1 Electronic code lock

- high level of safety:
 - 4 to 15-digit user's code
 - an alarm - after 4 unsuccessful attempts to open the lock
- lock works in two modes:
 - public mode (office; school);
 - private mode (deposit; swimming pool; fitness clubs);
- the lock is made of plastic
- the lock has an indicator of low battery level
- 3V CR 2032 battery
- it is also possible to recover a forgotten code in an emergency using the master key (purchased as a separate product)



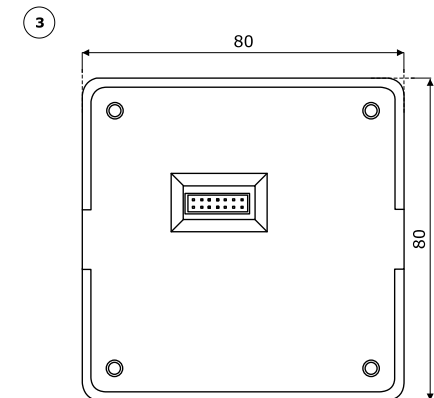
2 Code lock

- lock works in two modes:
 - public mode (office; school);
 - private mode (deposit; swimming pool; fitness clubs);
- code search function
- a straight bolt 37 mm



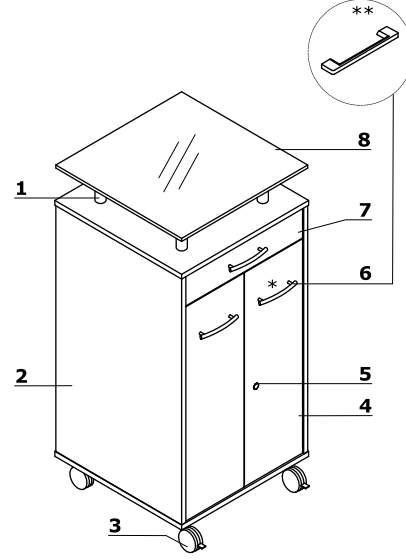
3 Electronic card lock

- delivered together with cards (2 pcs.) and a manual
- work conditions: temperatures - 15°C to +65°C; humidity 10% to 90%
- brak
- high level of security - by putting a wrong card five times, the lock gets blocked for 5 minutes
- the lock works in the varied user mode (deposit, swimming pool, fitness clubs)
- additional settings:
 - door open alarm and automatic unlock alarm when the time has expired
 - blockade of the possibility of opening two locks with one card
 - card validity period configuration - the card is automatically deactivated when the time has expired



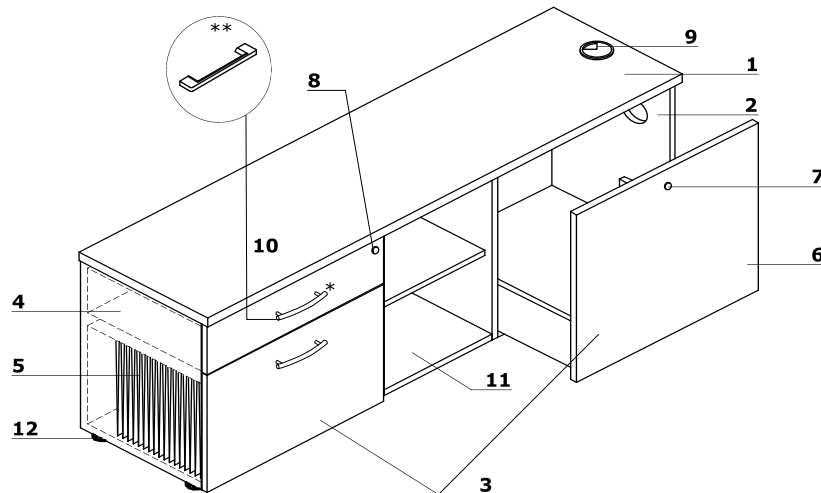
Mobile storage - multifunction

- 1 **Spacers** - 120 mm
- 2 **Body** - MFC 18 mm, ABS edge 2 mm
- 3 **Castors** - Ø75 mm , two with brakes
- 4 **Front** - MFC 18 mm, ABS edge 2 mm, plain hinge 110°
- 5 **Patent lock**
- 6 **Aluminum handle:**
 - * Standard
 - ** OPTION WITH EXTRA CHARGE - handle Pro - colour: white, black, aluminium
- 7 **Drawer** - 100% extractionn, metal, max load 30 kg, cutlery tray
- 8 **Top** - temepered frosted glass - 12 mm; painted on bottom

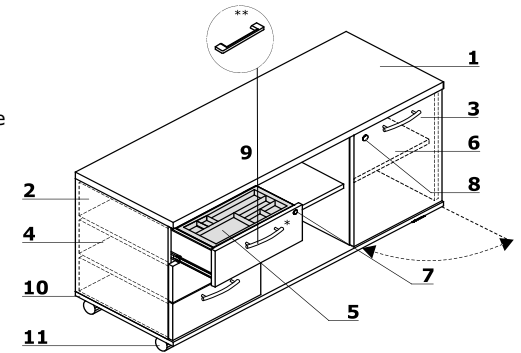


Managerial storages - A12M

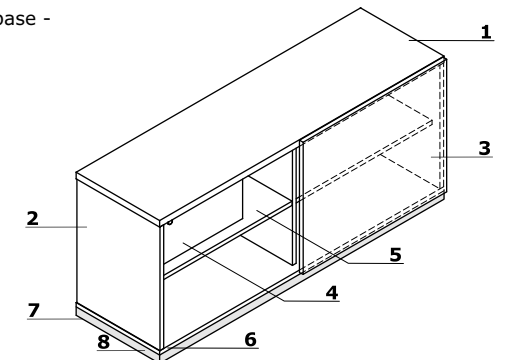
- 1 Top** - MFC 28 mm, ABS edge 2 mm
- 2 Body** - MFC 18 mm, ABS edge 2 mm
- 3 Front** - MFC 18 mm, ABS edge 2 mm
- 4 Metal drawer** - roll runners, max load 25 kg, 80% extraction, anti-tilt mechanism; OPTION WITH EXTRA CHARGE - ball runners, soft-closing system
- 5 Suspension files drawer** - with bottom, ball runners, max load 45 kg, 100% extraction, Push-to-Open
- 6 Drawer with bottom** - ball runners, max. load 40 kg, 100 % extraction, push-to-open, enough space for computer
- 7 Patent lock**
- 8 Central lock** - foldable key
- 9 Cable grommets** - Ø80 mm
- 10 Aluminum handle:**
 - * Standard
 - ** OPTION WITH EXTRA CHARGE - handle
- Pro - colour: white, black, aluminium
- 11 Base** - MFC 18 mm, ABS edge 2 mm
- 12 Leveling feet** - range 5 mm

**Managerial storage - A120ML, A120MP**

- 1 Top** - MFC 28 mm, ABS edge 2 mm
- 2 Body** - MFC 18 mm, ABS edge 2 mm
- 3 Front** - MFC 18 mm, ABS edge 2 mm, plain hinge 110°
- 4 MFC drawer** - roll runners, max load 25 kg, 80% extractio
- 5 Pencil tray** - plastic, colour: black
- 6 Shelf** - MFC 18 mm, protection against accidental falling-out, ABS edge 2 mm, max load 30 kg
- 7 Patent lock**
- 8 Central lock** - foldable key
- 9 Aluminum handle:**
 - * Standard
 - ** OPTION WITH EXTRA CHARGE - handle
- Pro - colour: white, black, aluminium
- 10 Base** - MFC 18 mm, ABS edge 2 mm
- 11 Castors** - Ø50 mm, two with brakes

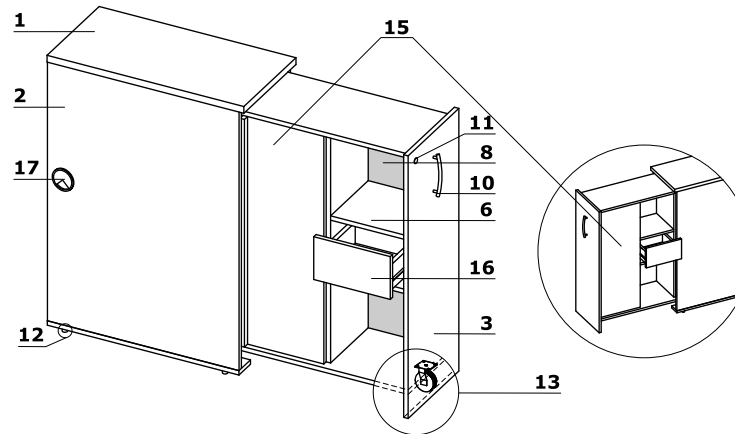
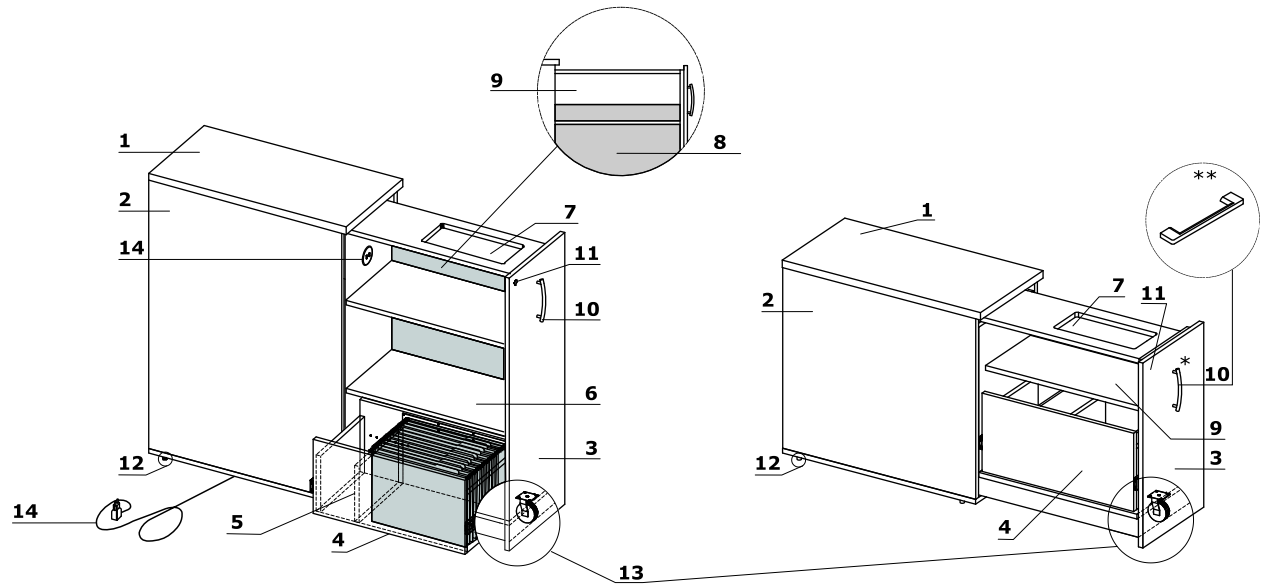
**Managerial storage - A14M**

- 1 Top** - MFC 28 mm, ABS edge 2 mm
- 2 Body** - MFC 18 mm, ABS edge 2 mm
- 3 Sliding front** - MFC 18 mm, ABS edge 2 mm
- 4 Drawer** - MFC 18 mm, ABS edge 2 mm, patent lock - possible to change location
- 5 Shelf** - MFC 18 mm, protection against accidental falling-out, ABS edge 2 mm, max load 30 kg
- 6 Base** - MFC 18 mm, ABS edge 2 mm
- 7 Leveling feet** - range 5 mm
- 8 OPTION WITH EXTRA CHARGE** - metal base - colour: M009 - aluminium semi-matt



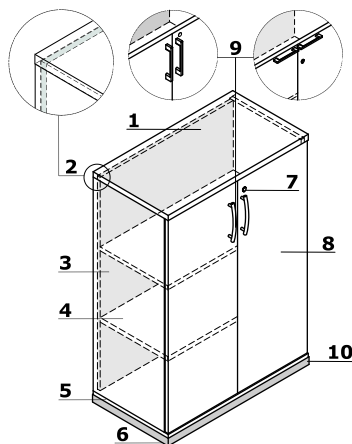
Cargo pedestals

- 1 Top** - MFC 28 mm, ABS edge 2 mm
- 2 Body** - MFC 18 mm, ABS edge 2 mm
- 3 Front** - MFC 18 mm, ABS edge 2 mm
- 4 OPTION WITH EXTRA CHARGE** - Drawer - MFC 18 mm, max. 35 kg load, possible extraction 100%, possibility of hanging files, ball runners
- 5 Movable vertical partition** - allows space organization
- 6 Shelf** - MFC 18 mm, protection against accidental falling-out, ABS edge 2 mm, max load 30 kg
- 7 Pencil tray** - plastic, colour: black
- 8 Back MFC** - 18 mm, ABS edges 2 mm
- 9 No back**
- 10 Aluminum handle:**
 - * Standard
 - ** OPTION WITH EXTRA CHARGE - handle Pro - colour: white, black, aluminium
- 11 Patent lock**
- 12 Leveling** - 10 mm range
- 13 Castors** - Ø75 mm
- 14 Mediabox M09** - OPTION WITH ADDITIONAL CHARGE - 2x USB-A Charger 5V 2A
- 15 OPTION WITH EXTRA CHARGE** - "dry-wipe board", colour: white
- 16 MFC drawer** - ball runners, 100% extraction
- 17 Cable grommets** - Ø80 mm

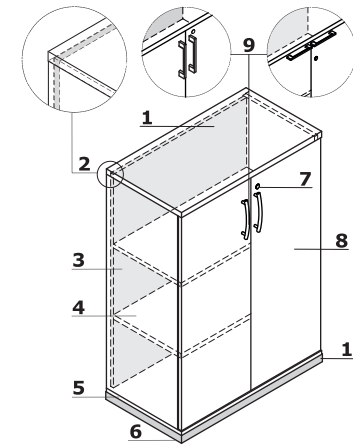


Storages

- 1 Top** - MFC 28 mm, ABS edge 2 mm
- 2 Back MFC** - 18 mm, ABS edges 2 mm
- 3 Body** - MFC 18 mm, ABS edge 2 mm
- 4 Shelf** - MFC 18 mm, protection against accidental falling-out, ABS edge 2 mm, max load 30 kg
- 5 Base** - MFC 18 mm, ABS edge 2 mm
- 6 Leveling feet 27 mm** - range 5 mm
- 7 OPTION WITH EXTRA CHARGE** - espagnolette lock - two-point
- 8 Front** - MFC 18 mm, ABS edge 2 mm, plain hinge 110°; OPTION WITH EXTRA CHARGE - angle hinge 170°
- 9 Aluminum handle:**
 - Standard
 - OPTION WITH EXTRA CHARGE - Pro (vertical) - colour: white, black, aluminium
 - OPTION WITH EXTRA CHARGE - Pro (horizontal) + espagnolette lock - colour: white, black, aluminium
- 10 OPTION WITH EXTRA CHARGE** - metal base - colour: M009 - aluminium semi-matt

**Storages - glued**

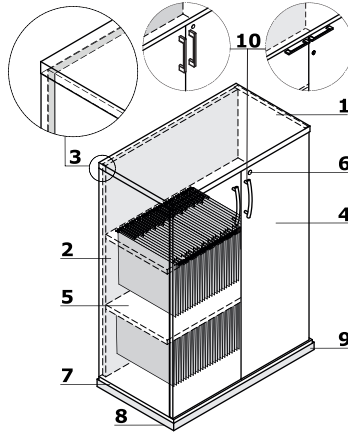
- 1 Top** - MFC 28 mm, ABS edge 2 mm
- 2 Back MFC** - 12 mm, ABS edges 2 mm; back wall set back 8 mm
- 3 Body** - MFC 18 mm, ABS edge 2 mm
- 4 Shelf** - MFC 18 mm, protection against accidental falling-out, ABS edge 2 mm, max load 30 kg
- 5 Base** - MFC 18 mm, ABS edge 2 mm
- 6 Leveling feet 27 mm** - range 5 mm
- 7 OPTION WITH EXTRA CHARGE** - espagnolette lock - two-point
- 8 Front** - MFC 18 mm, ABS edge 2 mm, plain hinge 110°; OPTION WITH EXTRA CHARGE - angle hinge 170°
- 9 Aluminum handle:**
 - Standard
 - OPTION WITH EXTRA CHARGE - Pro (vertical) - colour: white, black, aluminium
 - OPTION WITH EXTRA CHARGE - Pro (horizontal) + espagnolette lock - colour: white, black, aluminium
- 10 OPTION WITH EXTRA CHARGE** - metal base - colour: M009 - aluminium semi-matt



ATTENTION - Delivered assembled, customers have to mount handles and feet.

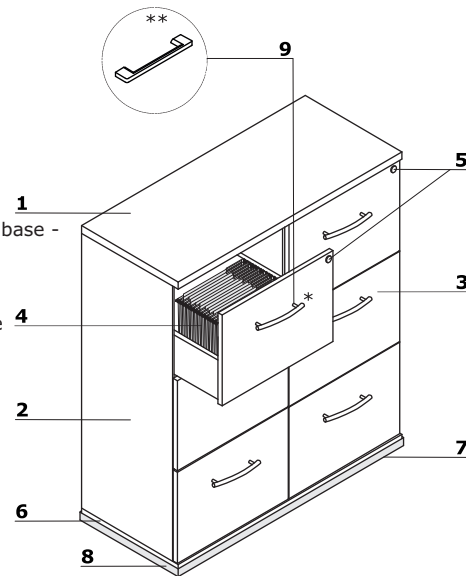
Storages and filing cabinets with metal shelves

- 1 **Top** - MFC 28 mm, ABS edge 2 mm; equipped with file frame
- 2 **Body** - MFC 18 mm, ABS edge 2 mm
- 3 **Back MFC** - 18 mm, ABS edges 2 mm
- 4 **Front** - MFC 18 mm, ABS edge 2 mm, plain hinge 110°; OPTION WITH EXTRA CHARGE - angle hinge 170°
- 5 **Metal shelf with possibility of using suspension files** - max load 41kg, colour: M009 - aluminium semi-matt
- 6 **OPTION WITH EXTRA CHARGE** - espagnolette lock - two-point
- 7 **Base** - MFC 18 mm, ABS edge 2 mm
- 8 **Leveling feet 27 mm** - range 5 mm
- 9 **OPTION WITH EXTRA CHARGE** - metal base - colour: M009 - aluminium semi-matt
- 10 **Aluminum handle:**
 - Standard
 - OPTION WITH EXTRA CHARGE - Pro (vertical) - colour: white, black, aluminium
 - OPTION WITH EXTRA CHARGE - Pro (horizontal) + espagnolette lock - colour: white, black, aluminium



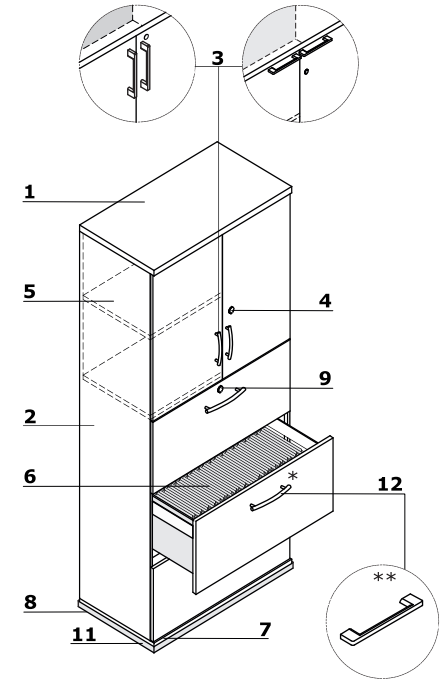
Cabinets with file drawers

- 1 **Top** - MFC 28 mm, ABS edge 2 mm
- 2 **Body** - MFC 18 mm, ABS edge 2 mm
- 3 **Front** - MFC/ HPL 18 mm
- 4 **Suspension files drawer** - MFC 18 mm, ball runners, max load 45kg, 100% extraction
- 5 **Central lock** - foldable key
- 6 **Base** - MFC 18 mm, ABS edge 2 mm
- 7 **Leveling feet 27 mm** - range 5 mm
- 8 **OPTION WITH EXTRA CHARGE** - metal base - colour: M009 - aluminium semi-matt
- 9 **Aluminum handle:**
 - Standard
 - ** OPTION WITH EXTRA CHARGE - handle Pro - colour: white, black, aluminium



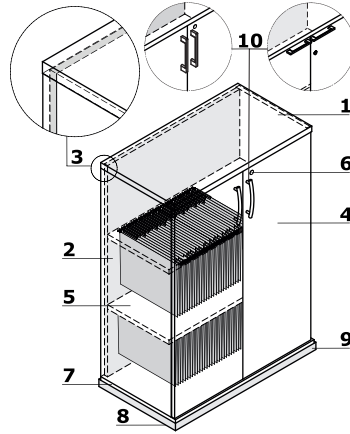
Cabinets with file drawers

- 1 **Top** - MFC 28 mm, ABS edge 2 mm
- 2 **Body** - MFC 18 mm, ABS edge 2 mm
- 3 **Front** - MFC/ HPL 18 mm, ABS edge 2 mm, plain hinge 110°; OPTION WITH EXTRA CHARGE - angle hinge 170°
 - Standard - vertical handle, aluminium
 - Pro (OPTION WITH EXTRA CHARGE) - horizontal handle, aluminium, espagnolette lock - two-point
- 4 **Patent lock; OPTION WITH EXTRA CHARGE** - espagnolette lock
- 5 **Shelf** - MFC 18 mm, protection against accidental falling-out, ABS edge 2 mm, max load 30 kg
- 6 **Suspension files drawer** - metal frame, ball runners, max load 55kg, 100% extraction
- 7 **Base** - MFC 18 mm, ABS edge 2 mm
- 8 **Leveling feet 27 mm** - range 5 mm
- 9 **Espagnolette lock** - two-point
- 10 **Possibility to place suspension files of A4 size**
- 11 **OPTION WITH EXTRA CHARGE** - metal base - colour: M009 - aluminium semi-matt
- 12 **Aluminum handle:**
 - * Standard
 - ** OPTION WITH EXTRA CHARGE - handle Pro - colour: white, black, aluminium



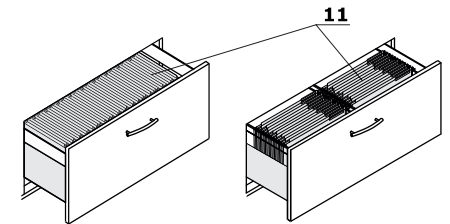
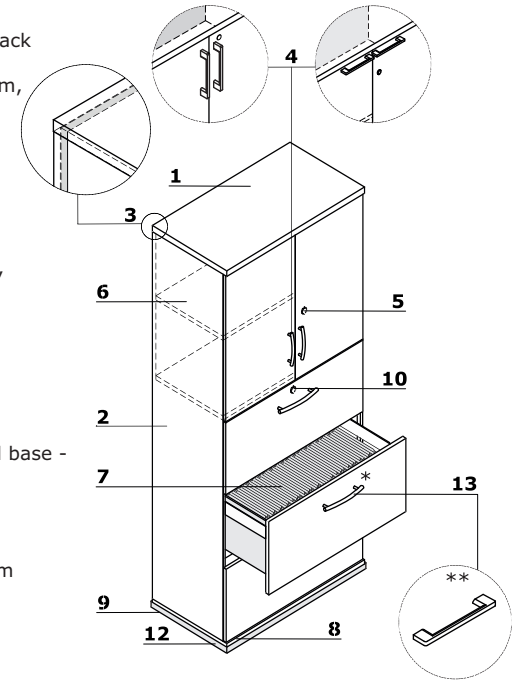
Storages and filing cabinets with metal shelves - glued

- 1 **Top** - MFC 28 mm, ABS edge 2 mm; equipped with file frame
- 2 **Body** - MFC 18 mm, ABS edge 2 mm
- 3 **Back MFC** - 12 mm, ABS edges 2 mm; back wall set back 8 mm
- 4 **Front** - MFC 18 mm, ABS edge 2 mm, plain hinge 110°; OPTION WITH EXTRA CHARGE - angle hinge 170°
- 5 **Metal shelf with possibility of using suspension files** - max load 41kg, colour: M009 - aluminium semi-matt
- 6 **OPTION WITH EXTRA CHARGE** - espagnolette lock - two-point
- 7 **Base** - MFC 18 mm, ABS edge 2 mm
- 8 **Leveling feet 27 mm** - range 5 mm
- 9 **OPTION WITH EXTRA CHARGE** - metal base - colour: M009 - aluminium semi-matt
- 10 **Aluminum handle:**
 - Standard
 - OPTION WITH EXTRA CHARGE - Pro (vertical) - colour: white, black, aluminium
 - OPTION WITH EXTRA CHARGE - Pro (horizontal) + espagnolette lock - colour: white, black, aluminium



Cabinets with file drawers - glued

- 1 **Top** - MFC 28 mm, ABS edge 2 mm
- 2 **Body** - MFC 18 mm, ABS edge 2 mm
- 3 **Back MFC** - 12 mm, ABS edges 2 mm; back wall set back 8 mm
- 4 **Front** - MFC/ HPL 18 mm, ABS edge 2 mm, plain hinge 110°; OPTION WITH EXTRA CHARGE - angle hinge 170°
- 5 **Patent lock; OPTION WITH EXTRA CHARGE** - espagnolette lock
- 6 **Shelf** - MFC 18 mm, protection against accidental falling-out, ABS edge 2 mm, max load 30 kg
- 7 **Suspension files drawer** - metal frame, ball runners, max load 55kg, 100% extractionn
- 8 **Base** - MFC 18 mm, ABS edge 2 mm
- 9 **Leveling feet 27 mm** - range 5 mm
- 10 **Espagnolette lock** - two-point
- 11 **Possibility to place suspension files of A4 size**
- 12 **OPTION WITH EXTRA CHARGE** - metal base - colour: M009 - aluminium semi-matt
- 13 **Aluminum handle:**
 - Standard
 - OPTION WITH EXTRA CHARGE - Pro (vertical) - colour: white, black, aluminium
 - OPTION WITH EXTRA CHARGE - Pro (horizontal) + espagnolette lock - colour: white, black, aluminium

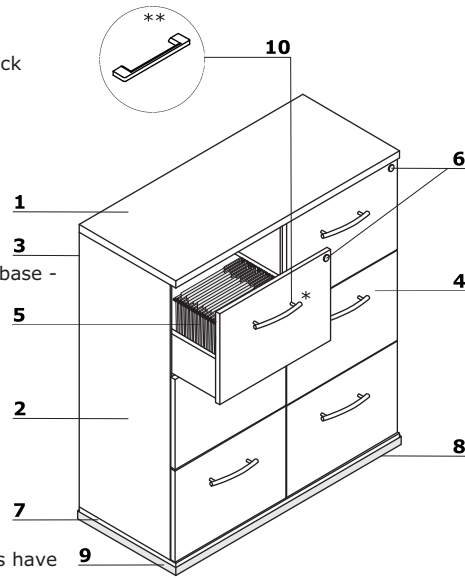


ATTENTION - Delivered assembled, customers have to mount handles and feet.

ATTENTION - Delivered assembled, customers have to mount handles and feet.

Cabinets with file drawers - glued

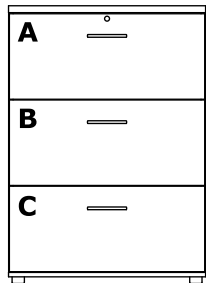
- 1 **Top** - MFC 28 mm, ABS edge 2 mm
- 2 **Body** - MFC 18 mm, ABS edge 2 mm
- 3 **Back MFC** - 12 mm, ABS edges 2 mm; back wall set back 8 mm
- 4 **Front** - MFC/ HPL 18 mm
- 5 **Suspension files drawer** - MFC 18 mm, ball runners, max load 45kg, 100% extraction
- 6 **Central lock** - foldable key
- 7 **Base** - MFC 18 mm, ABS edge 2 mm
- 8 **Leveling feet 27 mm** - range 5 mm
- 9 **OPTION WITH EXTRA CHARGE** - metal base - colour: M009 - aluminium semi-matt
- 10 **Aluminum handle:**
 - * Standard
 - ** OPTION WITH EXTRA CHARGE - handle Pro - colour: white, black, aluminium



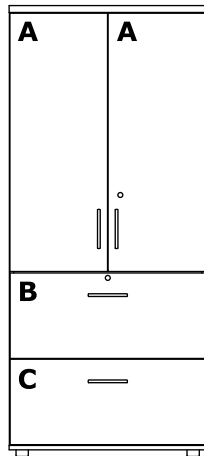
ATTENTION - Delivered assembled, customers have to mount handles and feet.

Symbols

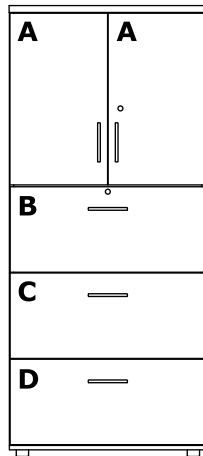
A3F04



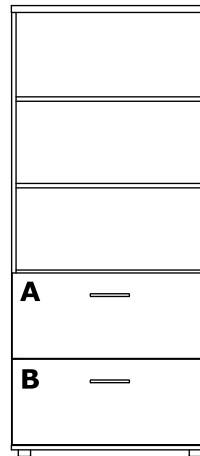
A54B4



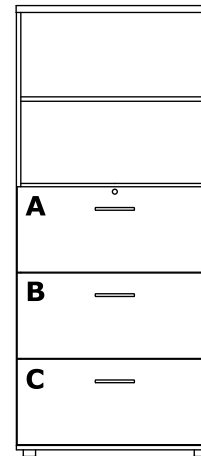
A54C4



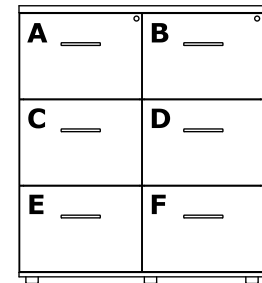
A54D4



A54E4



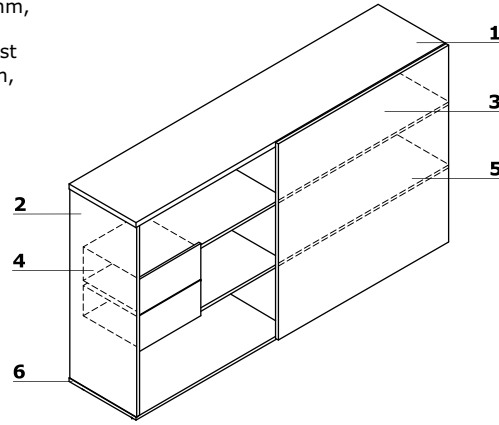
A6F04



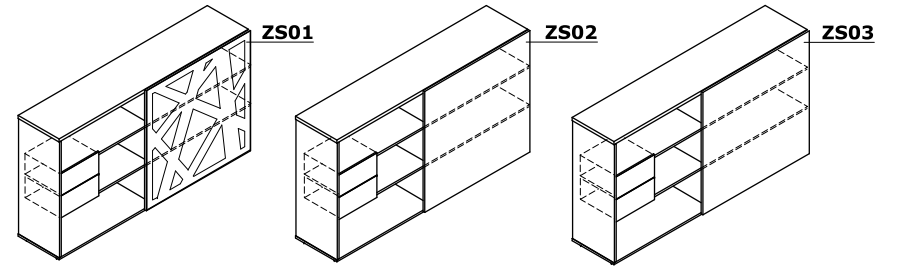
Symbols - important when choosing a colour, possible to choose front in various colours

Managerial storage

- 1 Top** - MFC 28 mm, ABS edge 2 mm
- 2 Body** - MFC 28 mm, ABS edge 2 mm
- 3 Front** - sliding doors, metal self-closing mechanism, ABS edge 2 mm
- 4 Drawer** - MFC 12 mm, ABS edge 2 mm, possible to change location
- 5 Shelf** - MFC 18 mm, protection against accidental falling-out, ABS edge 2 mm, max load 30 kg
- 6 Base** - MFC 28 mm, ABS edge 2 mm



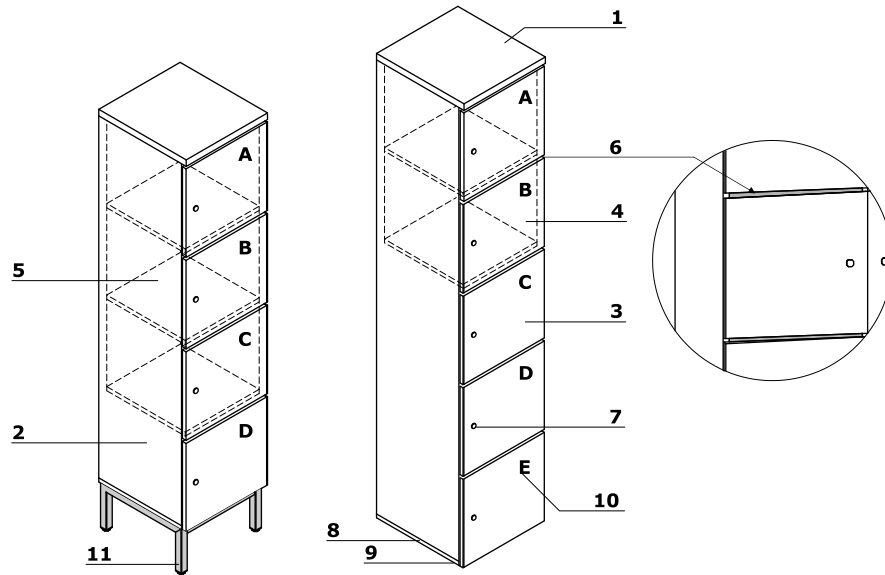
- ZS01**
 - Front - combination of HPL and powder coated steel element
- ZS02**
 - Front - MFC 18 mm, coated with HPL - mat, ABS edge 2 mm
- ZS03**
 - Front - MFC 18 mm, ABS edge 2 mm



Note: The front width 1100 mm

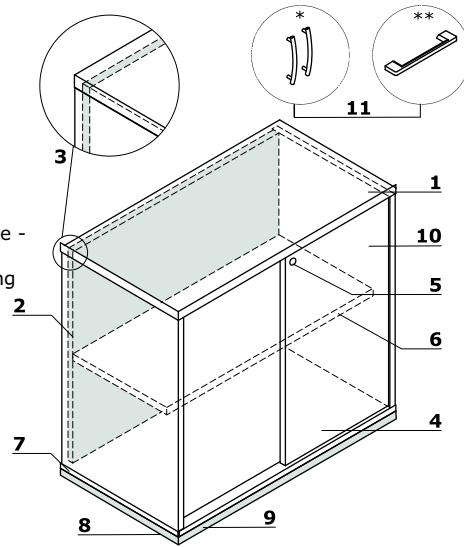
Locker type storage

- 1 Top** - MFC 28 mm, ABS edge 2mm
- 2 Body** - MFC 18 mm, ABS edge 2 mm
- 3 Front** - MFC 18 mm + HPL
- 4 Internal dimensions of one segment** - 364x388x373 mm
- 5 Horizontal partition wall** - 18 mm laminated board, edging of ABS 2 mm
- 6 Opening for inserting sheets of paper** - slot 13 mm
- 7 Patent lock** - OPTION WITH ADDITIONAL CHARGE - code, digital lock or card lock
- 8 Base** - MFC 18 mm, ABS edge 2 mm
- 9 Leveling feet 27 mm** - range 5 mm
- 10 Symbols** - important when choosing a colour, possible to choose front in various colours
- 11 Metal base** - powder coated, profile 30 x 30 mm



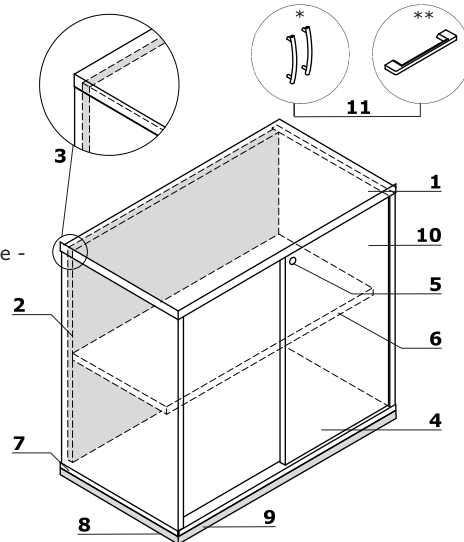
Sliding door storages

- 1 Top** - MFC 28 mm, ABS edge 2 mm
- 2 Body** - MFC 18 mm, ABS edge 2 mm
- 3 Back MFC** - 18 mm, ABS edges 2 mm
- 4 Sliding front** - MFC 18 mm, ABS edge 2 mm
- 5 Patent lock**
- 6 Shelf** - MFC 18 mm, protection against accidental falling-out, ABS edge 2 mm, max load 30 kg
- 7 Base** - MFC 18 mm, ABS edge 2 mm
- 8 Leveling feet 27 mm** - range 5 mm
- 9 OPTION WITH EXTRA CHARGE** - metal base - colour: M009 - aluminium semi-matt
- 10 OPTION WITH EXTRA CHARGE** - soft-closing system
- 11 Handle** - aluminium, ordered separately:
*handle Standard
**handle Pro



Sliding door storages - glued

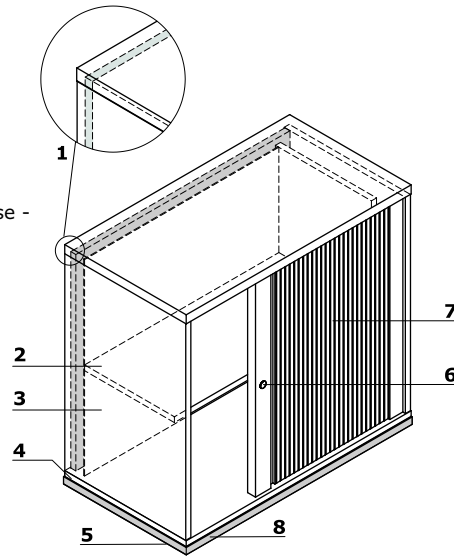
- 1 Top** - MFC 28 mm, ABS edge 2 mm
- 2 Body** - MFC 18 mm, ABS edge 2 mm
- 3 Back MFC** - 12 mm, ABS edges 2 mm; back wall set back 8 mm
- 4 Sliding front** - MFC 18 mm, ABS edge 2 mm
- 5 Patent lock**
- 6 Shelf** - MFC 18 mm, protection against accidental falling-out, ABS edge 2 mm, max load 30 kg
- 7 Base** - MFC 18 mm, ABS edge 2 mm
- 8 Leveling feet 27 mm** - range 5 mm
- 9 OPTION WITH EXTRA CHARGE** - metal base - colour: M009 - aluminium semi-matt
- 10 OPTION WITH EXTRA CHARGE** - soft-closing system
- 11 Handle** - aluminium, ordered separately:
*handle Standard
**handle Pro



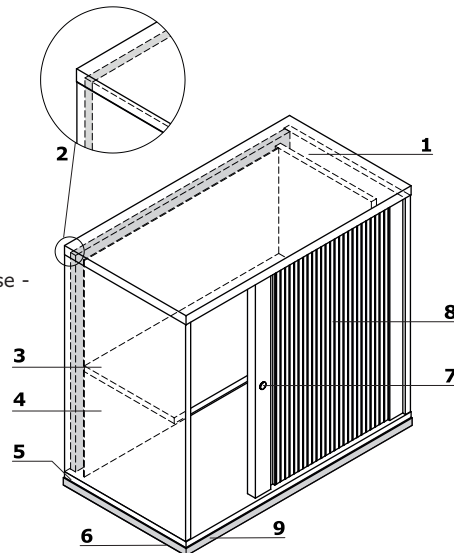
ATTENTION - Delivered assembled, customers have to mount handles and feet.

Tambour storages

- 1 **Top** - MFC 28 mm, ABS edge 2 mm
- 2 **Shelf** - MFC 18 mm, protection against accidental falling-out, ABS edge 2 mm, max load 30 kg
- 3 **Body** - MFC 18 mm, ABS edge 2 mm
- 4 **Base** - MFC 18 mm, ABS edge 2 mm
- 5 **Leveling feet 27 mm** - range 5 mm
- 6 **Patent lock**
- 7 **Front** - tambour
- 8 **OPTION WITH EXTRA CHARGE** - metal base - colour: M009 - aluminium semi-matt

**Tambour storages - glued**

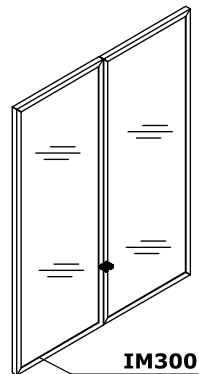
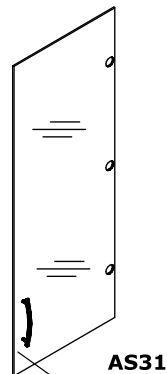
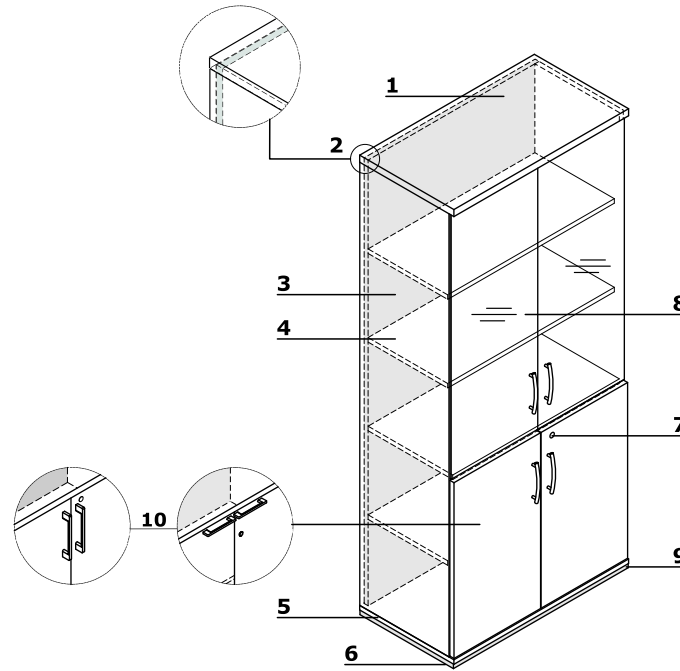
- 1 **Top** - MFC 28 mm, ABS edge 2 mm
- 2 **Back MFC** - 12 mm, ABS edges 2 mm; back wall set back 8 mm
- 3 **Shelf** - MFC 18 mm, protection against accidental falling-out, ABS edge 2 mm, max load 30 kg
- 4 **Body** - MFC 18 mm, ABS edge 2 mm
- 5 **Base** - MFC 18 mm, ABS edge 2 mm
- 6 **Leveling feet 27 mm** - range 5 mm
- 7 **Patent lock**
- 8 **Front** - tambour; handle bar and slides in black
- 9 **OPTION WITH EXTRA CHARGE** - metal base - colour: M009 - aluminium semi-matt



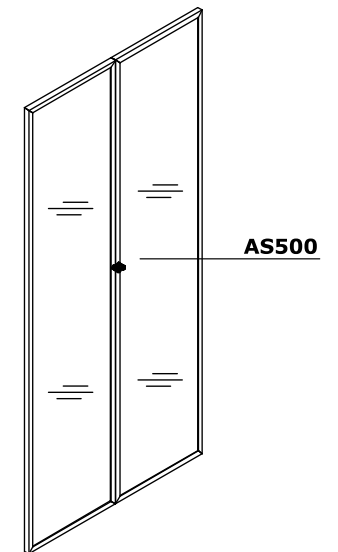
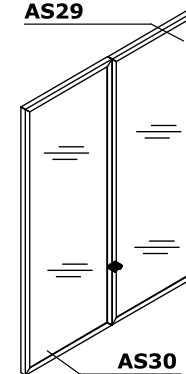
ATTENTION - Delivered assembled, customers have to mount handles and feet.

Glass door storages

- 1 Top** - MFC 28 mm, ABS edge 2 mm
2 Back MFC - 18 mm, ABS edges 2 mm
3 Body - MFC 18 mm, ABS edge 2 mm
4 Shelf - MFC 18 mm, protection against accidental falling-out, ABS edge 2 mm, max load 30 kg
5 Base - MFC 18 mm, ABS edge 2 mm
6 Leveling feet 27 mm - range 5 mm
7 Patent lock
8 Glass front - basic version AS31 - glass door 30H, transparent tempered glass 4 mm; universal (left, right)
OPTION WITH EXTRA CHARGE:
 - **IM300** - glass door 30H, transparent tempered glass 4 mm, with aluminum frame
 - **AS300** - glass door 30H, frosted tempered glass 4 mm, with aluminum frame
 - **AS29** - Glass door 30H - frosted tempered glass 4 mm, with aluminum frame, right
 - **AS30** - Glass door 30H - frosted tempered glass 4 mm, with aluminum frame, left
 - **AS500** - Glass door 50H - transparent tempered glass 4 mm, with aluminum frame**9 OPTION WITH EXTRA CHARGE** - metal base - colour: M009 - aluminium semi-matt
10 Front - MFC 18 mm, ABS edge 2 mm, plain hinge 110°; OPTION WITH EXTRA CHARGE - angle hinge 170°
 - Standard - vertical handle, aluminium
 - Standard (OPTION WITH EXTRA CHARGE) - vertical handle, aluminium - PRO
 - Pro (OPTION WITH EXTRA CHARGE) - horizontal handle, aluminium, espagnolette lock - two-point

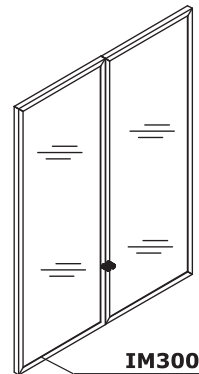
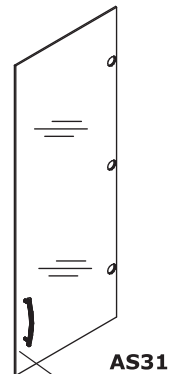
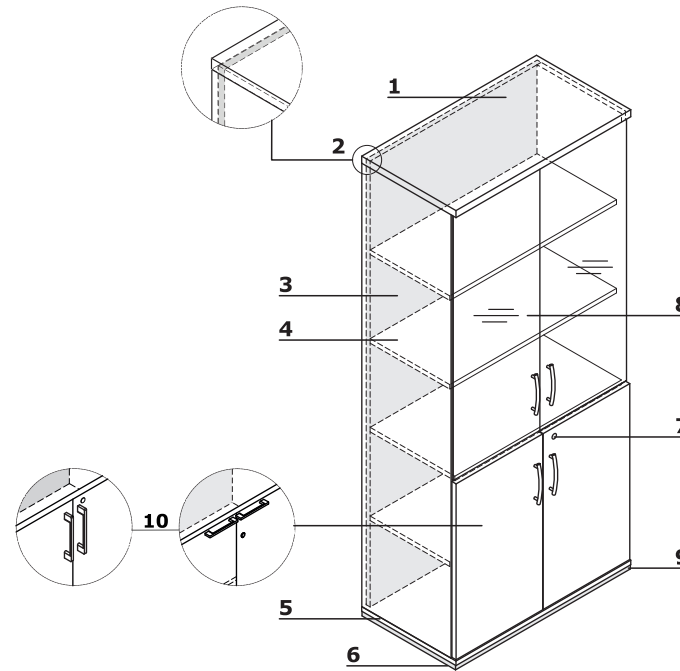


AS300
(AS29 + AS30)

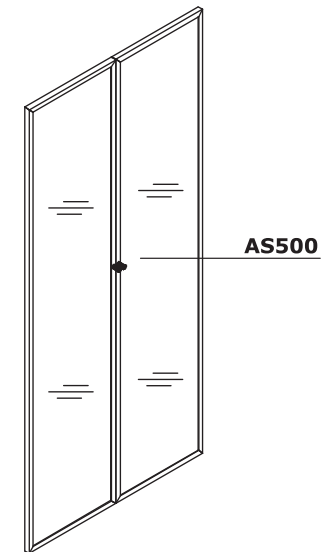
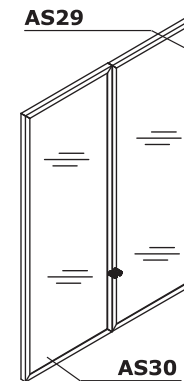


Glass door storages - glued

- 1 **Top** - MFC 28 mm, ABS edge 2 mm
 - 2 **Back MFC** - 12 mm, ABS edges 2 mm; back wall set back 8 mm
 - 3 **Body** - MFC 18 mm, ABS edge 2 mm
 - 4 **Shelf** - MFC 18 mm, protection against accidental falling-out, ABS edge 2 mm, max load 30 kg
 - 5 **Base** - MFC 18 mm, ABS edge 2 mm
 - 6 **Leveling feet 27 mm** - range 5 mm
 - 7 **Patent lock**
 - 8 **Glass front** - basic version AS31 - glass door 3OH, transparent tempered glass 4 mm; universal (left, right)
- OPTION WITH EXTRA CHARGE:**
- **IM300** - glass door 3OH, transparent tempered glass 4 mm, with aluminum frame
 - **AS300** - glass door 3OH, frosted tempered glass 4 mm, with aluminum frame
 - **AS29** - Glass door 3OH - frosted tempered glass 4 mm, with aluminum frame, right
 - **AS30** - Glass door 3OH - frosted tempered glass 4 mm, with aluminum frame, left
 - **AS500** - Glass door 5OH - transparent tempered glass 4 mm, with aluminum frame
- 9 **OPTION WITH EXTRA CHARGE** - metal base - colour: M009 - aluminium semi-matt
 - 10 **Front** - MFC 18 mm, ABS edge 2 mm, plain hinge 110°; **OPTION WITH EXTRA CHARGE** - angle hinge 170°
- Standard - vertical handle, aluminium
 - **OPTION WITH EXTRA CHARGE** - Pro (vertical) - colour: white, black, aluminium
 - **OPTION WITH EXTRA CHARGE** - Pro (horizontal) + espagnolette lock - colour: white, black, aluminium



AS300
(AS29 + AS30)



ATTENTION - Delivered assembled, customers have to mount handles and feet.