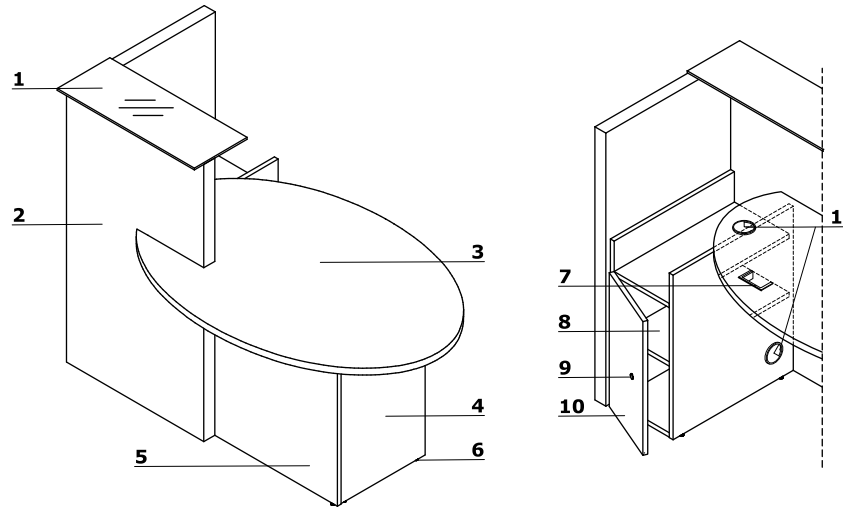


Technical specification

- 1 Top** - tempered frosted glass 3/8" (8 mm)
- 2 Front** - MFC 2" (52 mm)
- 3 Worktop** - MFC 1 1/8" (28 mm), ABS edge 1/8" (2 mm)
- 4 Body** - MFC 1 1/8" (28 mm), ABS edge 1/8" (2 mm)
- 5 Body** - MFC 6/8" (18 mm), ABS edge 1/8" (2 mm)
- 6 Leveling** - 2/8" (5 mm) range
- 7 Rectangular grommet** - 3 4/8" x 1 7/8" (90 x 48 mm)
- 8 Dividing storage** - MFC 6/8" (18 mm), ABS edge 1/8" (2 mm)
- 9 Patent lock**
- 10 Front** - MFC 6/8" (18 mm), ABS edge 1/8" (2 mm)
- 11 Cable grommets** - Ø3 1/8 (Ø80 mm)



Dimensions (inch/mm)

