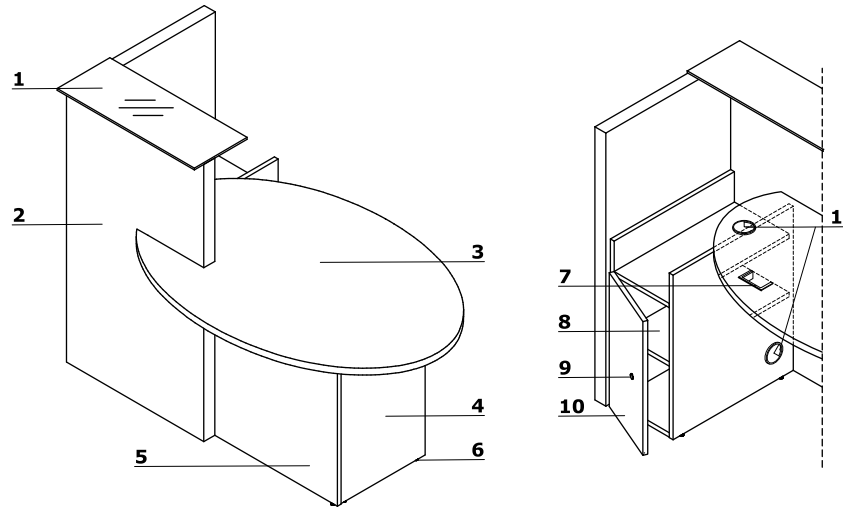


## Technical specification

- 1 Top** - tempered frosted glass 8 mm
- 2 Front** - MFC 52 mm
- 3 Worktop** - MFC 28 mm, ABS edge 2 mm
- 4 Body** - MFC 28 mm, ABS edge 2 mm
- 5 Body** - MFC 18 mm, ABS edge 2 mm
- 6 Leveling** - 5 mm range
- 7 Rectangular grommet** - 90x48 mm
- 8 Dividing storage** - MFC 18 mm, ABS edge 2 mm
- 9 Patent lock**
- 10 Front** - MFC 18 mm, ABS edge 2 mm
- 11 Cable grommets** - Ø80 mm



## Dimensions (mm)

