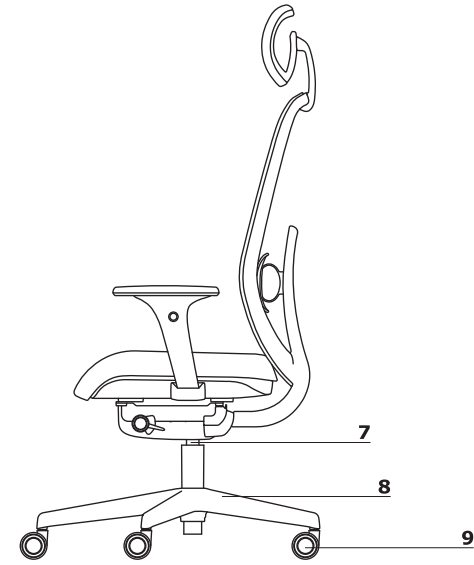
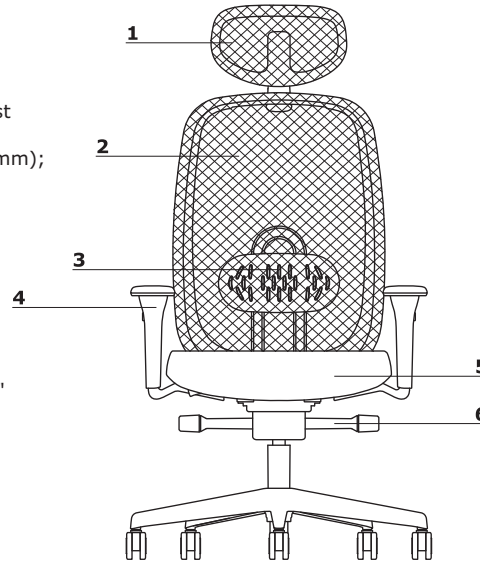


Technical specification

- 1 OPTION WITH EXTRA CHARGE** - headrest - black mesh
- 2 Backrest** - mesh, colour: black
- 3 Lumbar support** - manual height adjustable 3 1/8" (80 mm)
- 4 Armrests 1D** - polyamide, colour: black; height adjustment 2 3/8" (60 mm)
- **OPTION WITH EXTRA CHARGE** - Armrest 4D - soft TPU armrest tops, colour: black; height adjustment 3 7/8" (100 mm); horizontal adjustment 1" (25 mm); depth adjustment 2" (50 mm); side rotation of armrest cushion by 10°
- 5 Seat** - structure made of plastic; filling - moulded foam; flame retardant, density of 60 kg/m3, upholstered
- 6 Mechanism** - Synchro Pro:
 - tilt angle of the backrest 20° and the seat 9°
 - designed for usage 45 and 120kg
 - 4 blocking positions of the backrest
- 7 Actuator** - steel gas spring, adjustment range 4 3/8" (110 mm), color: black
- 8 Base** - 5-star, polypropylene, Ø=26 6/8" (680 mm), h=4 7/8" (124 mm); **OPTION WITH EXTRA CHARGE** - 5-star, polished aluminum, Ø=26 6/8" (680 mm), h=4 7/8" (124 mm)
- 9 Castors** - Ø 2 4/8" (Ø 65 mm), for soft floors PP+PA, color: black; **OPTION WITH EXTRA CHARGE** - for hard floors PP+PA, color: black



Dimensions (inch/mm)

