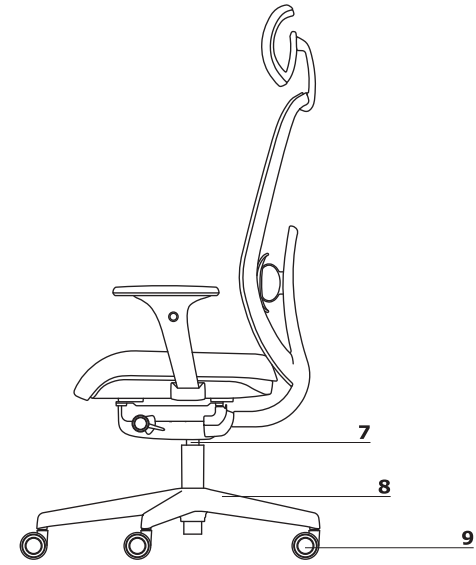
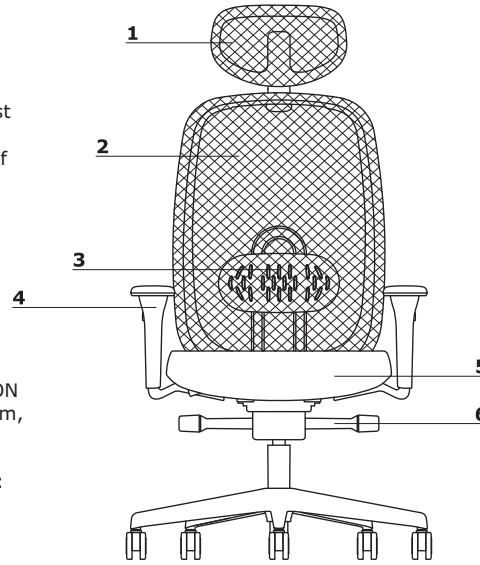


Technical specification

- 1 **OPTION WITH EXTRA CHARGE** - headrest - black mesh
- 2 **Backrest** - mesh, colour: black
- 3 **Lumbar support** - manual height adjustable (80 mm)
- 4 **Armrests 1D** - polyamide, colour: black; height adjustment 60 mm
- **OPTION WITH EXTRA CHARGE** - Armrest 4D - soft TPU armrest tops, colour: black; height adjustment 100 mm; horizontal adjustment 25 mm; depth adjustment 50 mm; side rotation of armrest cushion by 10°
- 5 **Seat** - structure made of plastic; filling - moulded foam; flame retardant, density of 60 kg/m³, upholstered
- 6 **Mechanism** - Synchro Pro:
 - tilt angle of the backrest 20° and the seat 9°
 - designed for usage 45 and 120kg
 - 4 blocking positions of the backrest
- 7 **Actuator** - steel gas spring; adjustment range 110 mm; colour: black
- 8 **Base** - 5-star, polypropylene, Ø=680 mm, h=124 mm; **OPTION WITH EXTRA CHARGE** - 5-star, polished aluminium, Ø=680 mm, h=124 mm
- 9 **Castors** - Ø65 mm, for soft floors PP+PA, colour: black; **OPTION WITH EXTRA CHARGE** - for hard floors PP+PA, colour: black



Dimensions (mm)

