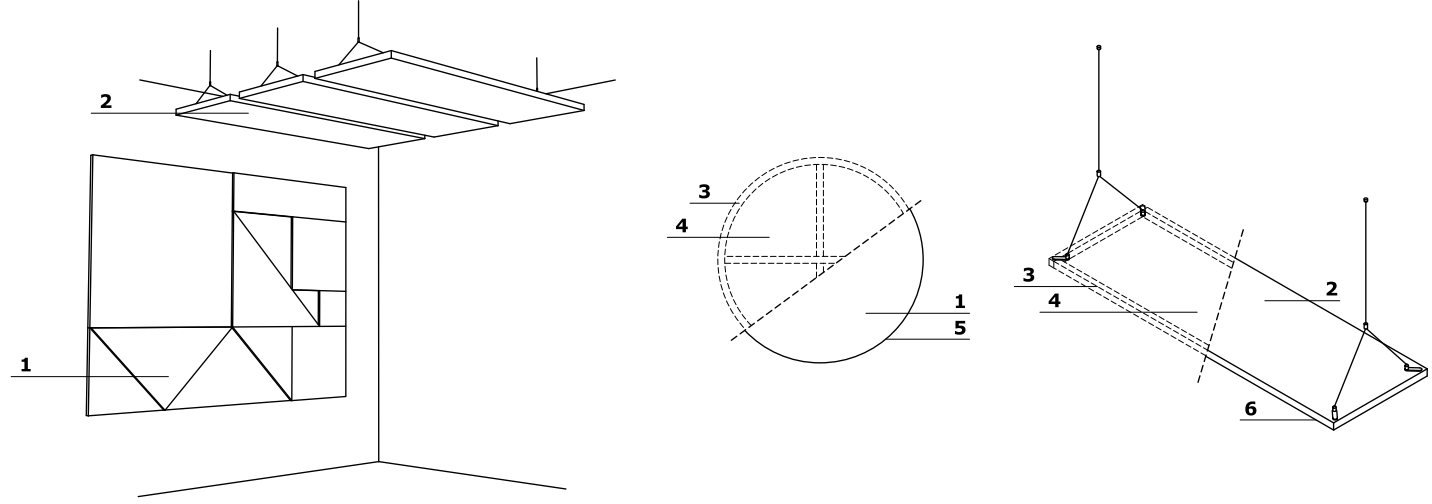


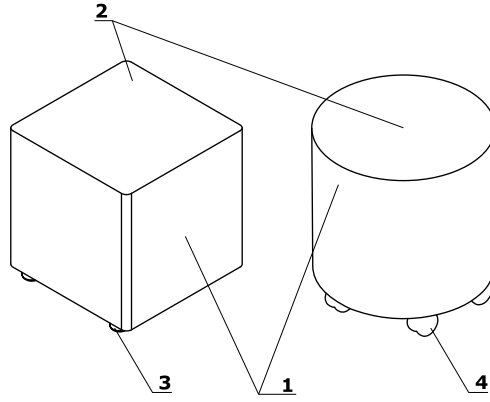
Mix - ceiling and wall screens

- 1 Wall screens** - one-side upholstery, Sonic technology structure with A-class acoustics certificate
- 2 Ceiling screens (fixed vertically)** - Sonic technology structure with A-class acoustics certificate
- 3 Frame** - chipboard
- 4 Filling** - acoustic nonwoven with high sound absorption and dispersion properties
- 5 Fixing element** - glue (1 pack is enough for 6 panels) - order separately (BKL1)
- 6 Wire cable** - stainless steel, adjustable length up to 59" (1500 mm)



Technical specification

- 1 Body** - chipboard 6/8" (18 mm)
- 2 Seat** - cut foam: thickness 2" (50 mm)
- 3 Polypropylene feet** - $\varnothing = 2"$ (50 mm), h = 1 1/8" (27 mm)
- 4 Castors** - $\varnothing 1 7/8"$ ($\varnothing 47$ mm)



- max. load 120 kg

Dimensions (inch/mm)

