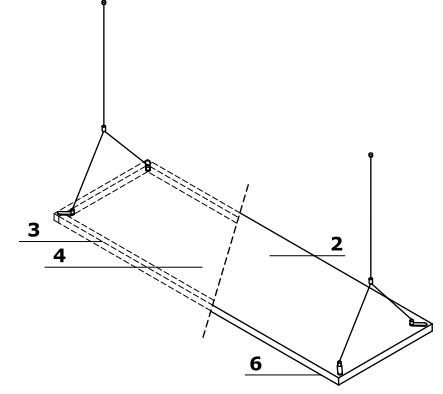
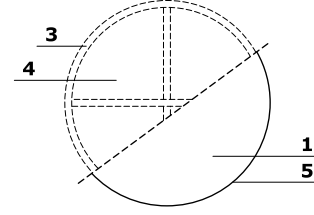
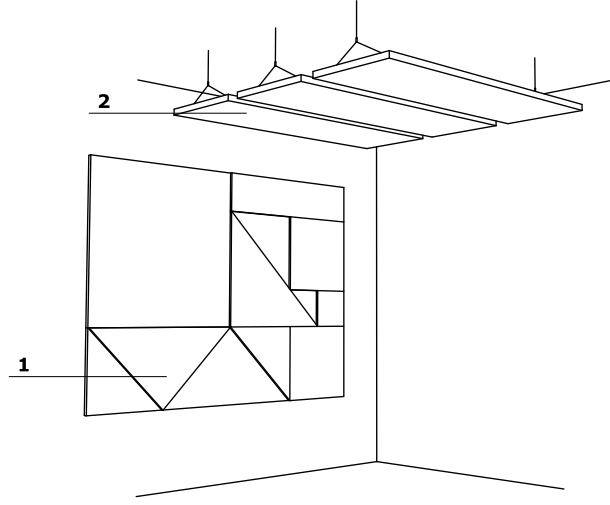


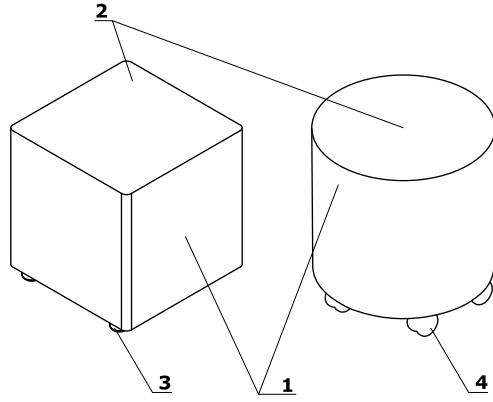
Mix - ceiling and wall screens

- 1 Wall screens** - one-side upholstery, Sonic technology structure with A-class acoustics certificate
- 2 Ceiling screens (fixed vertically)** - Sonic technology structure with A-class acoustics certificate
- 3 Frame** - chipboard
- 4 Filling** - acoustic nonwoven with high sound absorption and dispersion properties
- 5 Fixing element** - glue (1 pack is enough for 6 panels) - order separately (BKL1)
- 6 Wire cable** - stainless steel, adjustable length up to 200 - 1400 mm



Technical specification

- 1 Body** - chipboard 18 mm
- 2 Seat** - cut foam: thickness 50 mm
- 3 Polypropylene feet** - Ø50 mm, h 27 mm
- 4 Castors** - Ø47 mm



- max. load 120 kg

Dimensions (mm)

