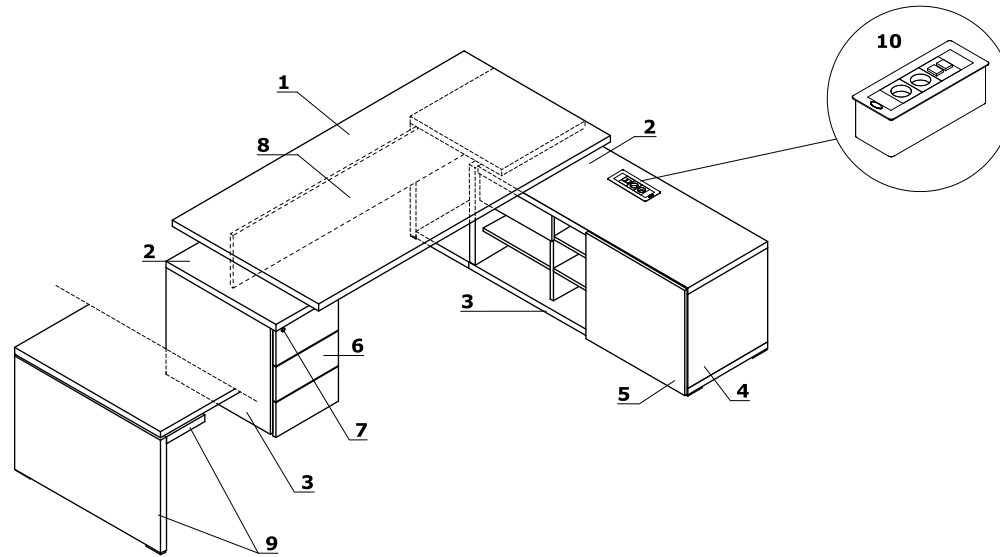
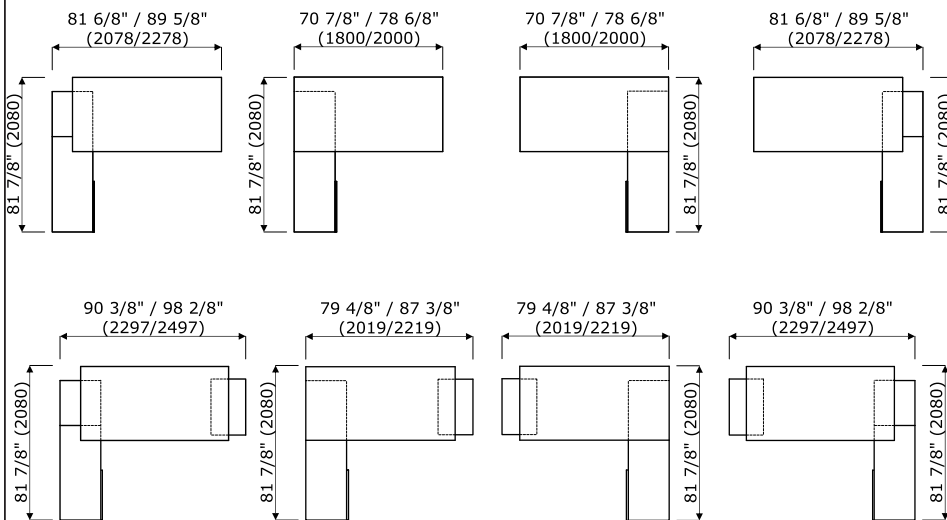


## Desks

- 1 Worktop** - MFC 1 4/8" (38 mm), ABS edge 1/8" (2 mm)
- 2 Top** - MFC 1 4/8" (38 mm), ABS edge 1/8" (2 mm)
- 3 Base** - MFC 1 4/8" (38 mm), ABS edge 1/8" (2 mm)
- 4 Body** - MFC 6/8" (18 mm), ABS edge 1/8" (2 mm)
- 5 Sliding front** - MFC 6/8" (18 mm), ABS edge 1/8" (2 mm)
- 6 Front** - MFC 6/8" (18 mm), ABS edge 1/8" (2 mm)
- 7 Central lock** - foldable key
- 8 Modesty panel** - MFC 6/8" (18 mm), ABS edge 1/8" (2 mm)
- 9 HPL base** - high gloss/ mat - 1 4/8" (38 mm)
- 10 Mediaport S91E** - OPTION WITH EXTRA CHARGE - 2x 110V, 2x RJ45

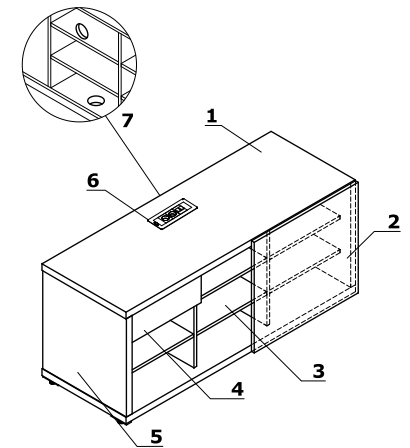


## Configuration examples (inch/mm)



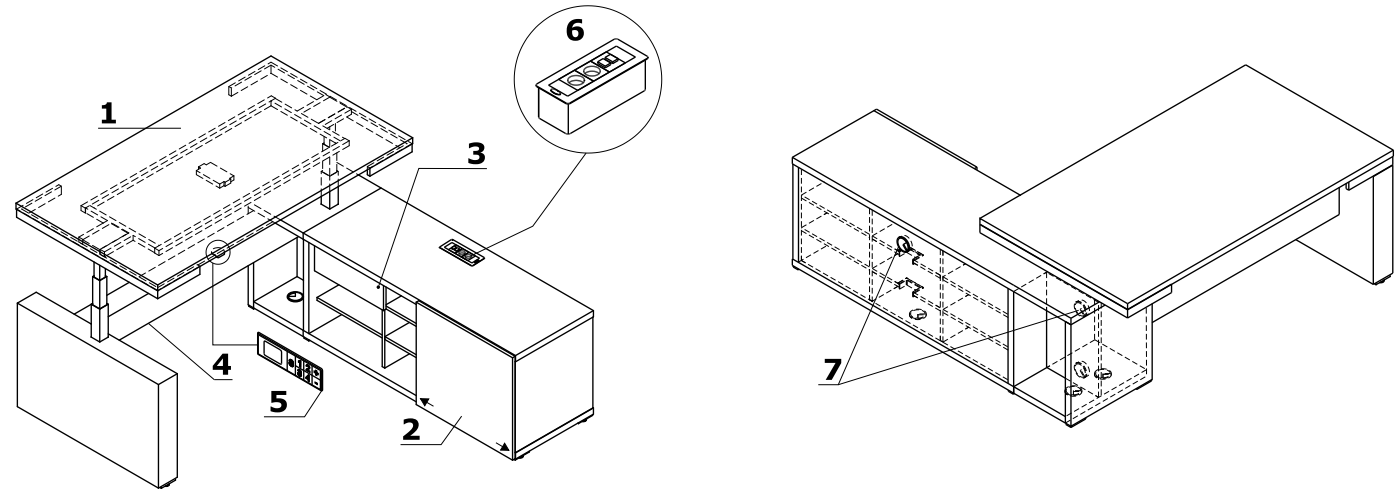
## Managerial storages - A12M

- 1 Top** - MFC 1 4/8" (38 mm), ABS edge 1/8" (2 mm)
- 2 Front** - MFC 6/8" (18 mm), ABS edge 1/8" (2 mm)
- 3 Interior** - MFC 6/8" (18 mm)
- 4 Drawer** - MFC 6/8" (18 mm), ABS edge 1/8" (2 mm), patent lock - possible to change locatio
- 5 Side panels** - MFC 1 4/8" (38 mm), ABS edge
- 6 Mediaport S91E** - OPTION WITH EXTRA CHARGE - 2x 110V, 2x RJ45
- 7 Cable grommets** - Ø3 1/8" (Ø80 mm)



## Deks with electric height adjustment and managerial storage

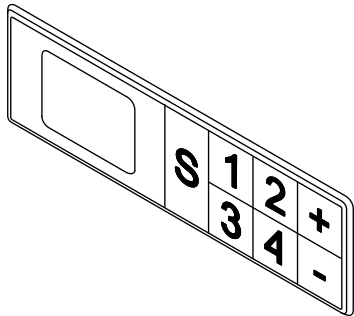
- 1 Worktop** - MFC 1 4/8" (38 mm), ABS edge 1/8" (2 mm)
- 2 Sliding front** - MFC 6/8" (18 mm), ABS edge 1/8" (2 mm)
- 3 Drawer** - MFC 6/8" (18 mm), ABS edge 1/8" (2 mm), possible to change locationn
- 4 Electric height adjustable frame** - powder coated steel, load 100 kg, telescopic leg 2 3/8" / 2 3/8" (60x60 mm);, 2" / 2" (50x50 mm); , 1 5/8" / 1 5/8" (40x40 mm);
- 5 Control panel**
  - A** - up and down keypad with memory; the ability to change the sensitivity of the anti-collision system within 3 levels: Low, Medium, High
  - B** - OPTION FOR AN ADDITIONAL COST to panel A - bluetooth module - control via .mdd Desk BT application (downloadable from Google Play or App Store). The app has a time interval function that informs the user about the need of changing body position (from sitting to standing or standing to sitting)
- 6 Mediaport S91E** - OPTION WITH EXTRA CHARGE - 2x 110V, 2x RJ45
- 7 Cable grommets**



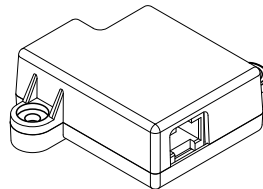
### Frame technical specification

- **Height adjustment** - 1 5/8" (40 mm) /sec  
Super Soft Start - Stop
- **Drive** - 2 synchronised motors with microprocessor, work control sensor
- **ISP** - Intelligent System Protection
- **Standards** - EN 527-2
- **EU Directives 206/95EC, UI508 1999, UL 1004 R7 06, WE DC 2004/108WE**
- **Power supply** - 110V, 300W, power consumption on Standby - 0.3W

**A**



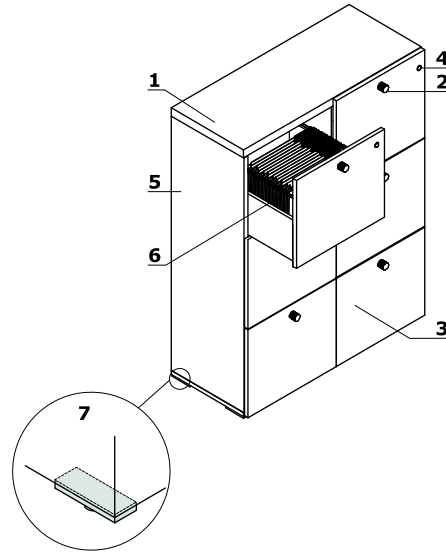
**B**



Worktop permanently mounted to the side cabinet

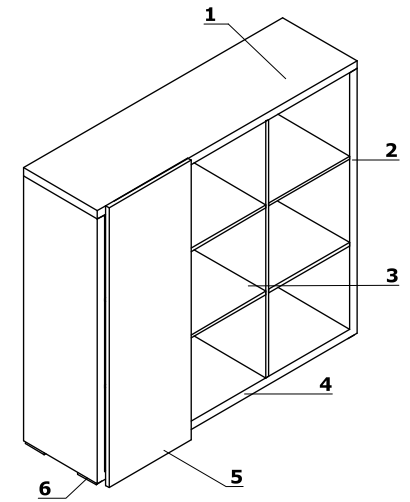
### Cabinets with file drawers

- 1 **Top** - MFC 1 4/8" (38 mm), ABS edge 1/8" (2 mm)
- 2 **Aluminium handle**
- 3 **Front** - HPL - high gloss
- 4 **Central lock** - foldable key
- 5 **Side panels** - MFC 6/8" (18 mm), ABS edge 1/8" (2 mm)
- 6 **Suspension files drawer** - MFC 6/8" (18 mm), ball runners, max load 45kg, 100% extraction
- 7 **Leveling** - 2/8" (5 mm) range



### Sliding door storages

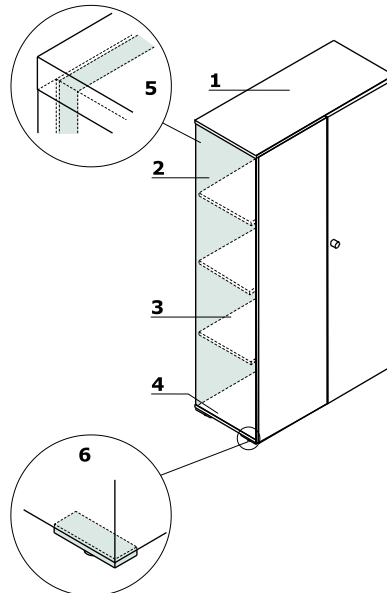
- 1 **Top** - MFC 1 4/8" (38 mm), ABS edge 1/8" (2 mm)
- 2 **Side panels** - MFC 1 4/8" (38 mm), ABS edge
- 3 **Interior** - MFC 6/8" (18 mm)
- 4 **Base** - MFC 1 4/8" (38 mm), ABS edge 1/8" (2 mm)
- 5 **Sliding front** - MFC 6/8" (18 mm), ABS edge 1/8" (2 mm)
- 6 **Leveling** - 2/8" (5 mm) range



Sliding front storages MIT7 / MIT18

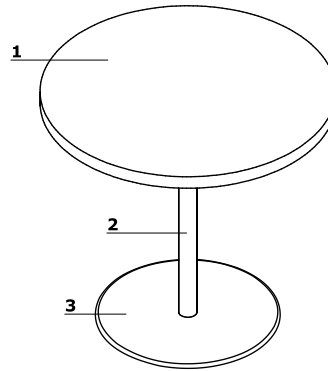
### Storages

- 1 **Top** - MFC 6/8" (18 mm), ABS edge 1/8" (2 mm)
- 2 **Side panels** - MFC 6/8" (18 mm), ABS edge 1/8" (2 mm)
- 3 **Shelf** - MFC 6/8" (18 mm), protection against accidental falling-out, ABS edge 1/8" (2 mm), max load 30 kg
- 4 **Base** - MFC 6/8" (18 mm), ABS edge 1/8" (2 mm)
- 5 **Back MFC** - 6/8" (18 mm), ABS edges 1/8" (2 mm)
- 6 **Leveling** - 2/8" (5 mm) range
- 7 **Espagnolette lock in doorknob**



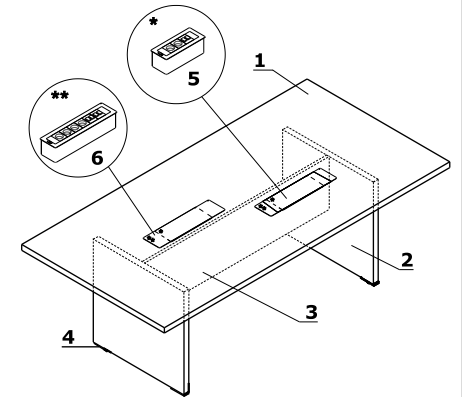
### Disc base meeting tables

- 1 **Worktop** - MFC 1 4/8" (38 mm), ABS edge 1/8" (2 mm)
- 2 **Column** - powder coated steel
- 3 **Disc** - stainless steel INOX



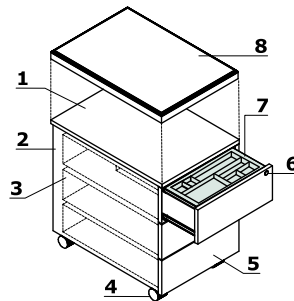
### MFC base meeting tables

- 1 **Worktop** - MFC 1 4/8" (38 mm), ABS edge 1/8" (2 mm)
- 2 **HPL base** - high gloss/ mat - 1 4/8" (38 mm)
- 3 **Modesty panel** - MFC 6/8" (18 mm), ABS edge 1/8" (2 mm)
- 4 **Leveling** - 2/8" (5 mm) range
- 5 **Mediaport S91E** - OPTION WITH EXTRA CHARGE - 2x 110V, 2x RJ45
- 6 **Mediaport S92E** - OPTION WITH EXTRA CHARGE - 4 x 110V, 4 x RJ45



### Mobile pedestal without handles (MIT120, MIT130)

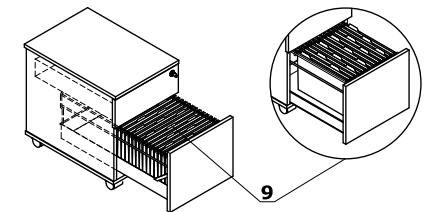
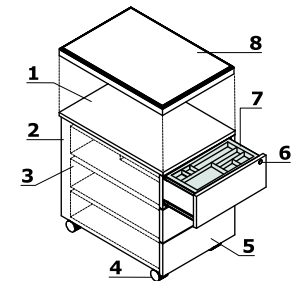
- 1 **Top** - MFC 6/8" (18 mm), ABS edge 1/8" (2 mm)
- 2 **Body** - MFC 6/8" (18 mm), ABS edge 1/8" (2 mm)
- 3 **MFC drawer** - ball runners, max load 25kg, 100% extraction; Anti-tilt mechanism, soft closing
- 4 **Castors** - Ø2" (Ø50 mm), two with brakes
- 5 **Front** - MFC 6/8" (18 mm), ABS edge 1/8" (2 mm)
- 6 **Central lock** - foldable key
- 7 **Pencil tray** - plastic, color: black
- 8 **Optional cushion SKP13** - for pedestal, max load 120 kg, ordered separately



ATTENTION - sitting on the pedestal possible only after mounting the cushion (SKP13); the pedestal with cushion is intended for sitting only - moving the pedestal while sitting may result in damaging the castors

### Mobile pedestal without handles (SLD12HT, SLD13HT)

- 1 **Top** - MFC 6/8" (18 mm), coated with HPL high gloss
- 2 **Body** - MFC 6/8" (18 mm), ABS edge 1/8" (2 mm)
- 3 **Metal drawer** - roll runners, max load 25 kg, 80% extraction, anti-tilt mechanism; OPTION WITH EXTRA CHARGE - ball runners, soft-closing system
- 4 **Castors** - Ø2" (Ø50 mm), two with brakes
- 5 **Front** - MFC 6/8" (18 mm), coated with HPL - mat, ABS edge 1/8" (2 mm)
- 6 **Central lock** - foldable key
- 7 **Pencil tray** - plastic, color: black
- 8 **Optional cushion SKP13** - for pedestal, max load 120 kg, ordered separately
- 9 **Suspension files drawer** - ball runners, max load 30 kg, 100% extraction, A4 folders can be situated parallelly and perpendicularly to the front



ATTENTION - sitting on the pedestal possible only after mounting the cushion (SKP13); the pedestal with cushion is intended for sitting only - moving the pedestal while sitting may result in damaging the castors

Possible mediaport location

