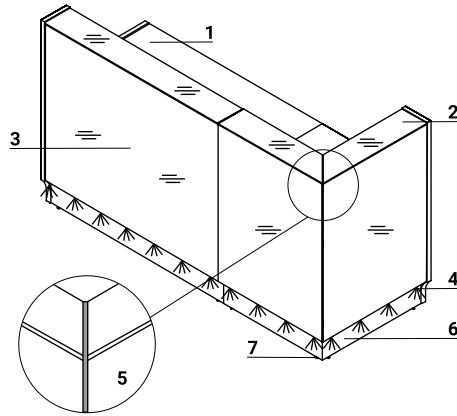
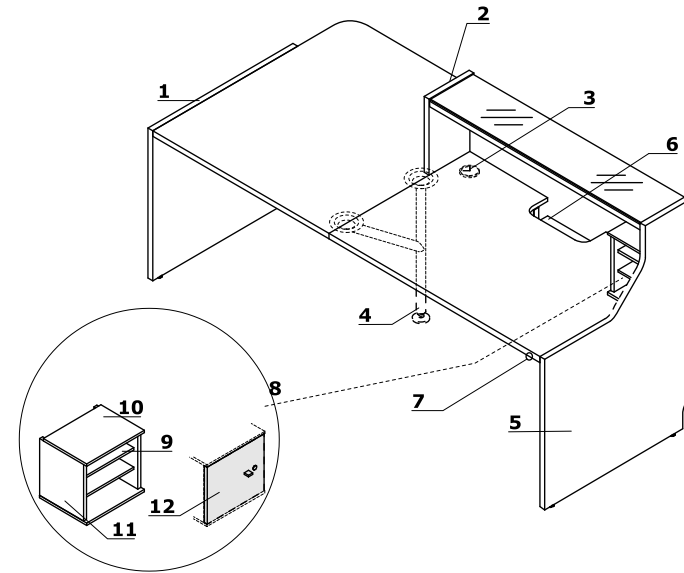


Technical specification

- 1 Worktop** - MFC 1 1/8" (28 mm), ABS edge 1/8" (2 mm)
- 2 Top** - tempered optiwhite glass, 3/8" (8 mm) - painted on bottom side
- 3 Front** - glass LACOBEL 1/8"mm (4 mm)
- 4 LED illumination** - at the full length of the reception desk, cold white color (verging on the blue shade)
- 5 Corner slate** - stainless steel 1/8" (4 mm)
- 6 Kick plate** - HPL - brushed aluminum
- 7 Leveling** - 2/8" (5 mm) range

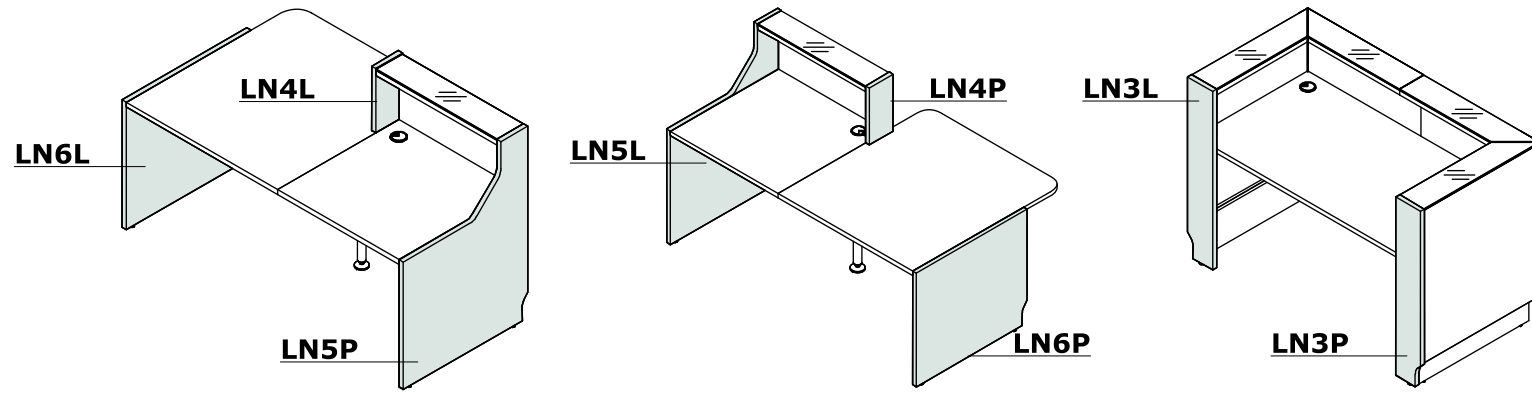


Technical specification



- 1 Low side panel** - MFC 1 1/8" (28 mm), ABS edge 1/8" (2 mm)
- 2 Side panel linking low and high fronts** - MFC 1 1/8" (28 mm), ABS edge 1/8" (2 mm)
- 3 Cable grommets** - Ø3 1/8 (Ø80 mm)
- 4 Supporting leg NE41** - required for connecting the tops
- 5 High side panel** - MFC 1 1/8" (28 mm), ABS edge 1/8" (2 mm)
- 6 OPTION WITH EXTRA CHARGE** - working top with lowered monitor shelf - MFC 1 1/8" (28 mm), ABS edge 1/8" (2 mm)
- 7 Light switch**
- 8 LMS05** - reception desk storage; order separately
- 9 Shelf** - MFC 4/8" (12 mm), ABS edge 1/8" (2 mm)
- 10 Top** - MFC 4/8" (12 mm), ABS edge 1/8" (2 mm)
- 11 Body** - MFC 6/8" (18 mm), ABS edge 1/8" (2 mm)
- 12 Optional front with lock** - universal (left, right); - MFC 6/8" (18 mm), ABS edge; - ordered as separate element

Ending elements application



Dimensions (inch/mm)

