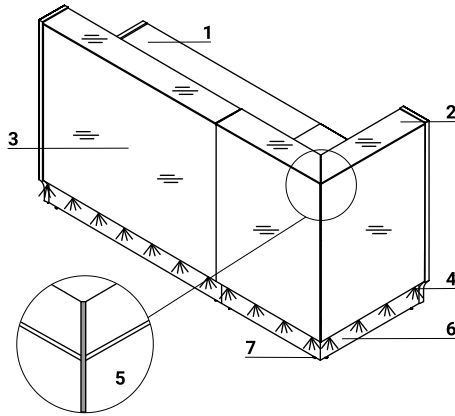
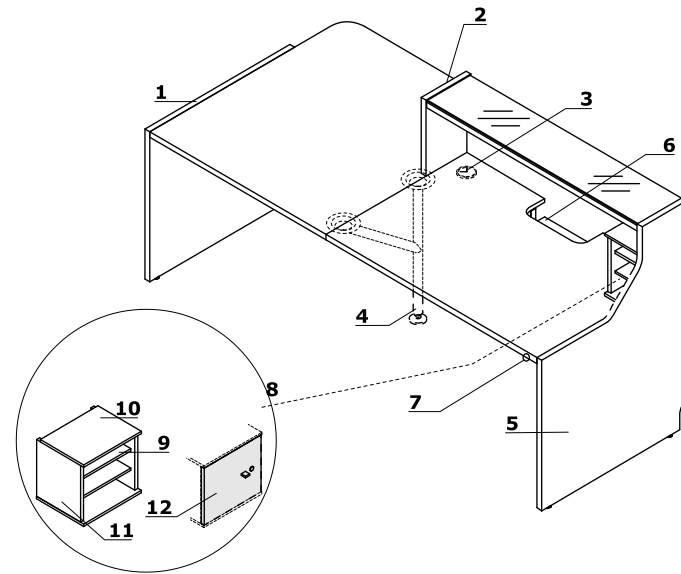


Technical specification

- 1 Worktop** - MFC 28 mm, ABS edge 2 mm
- 2 Top** - tempered optiwhite glass, 8 mm - painted on bottom side
- 3 Front** - glass LACOBEL 4 mm
- 4 LED illumination** - at the full length of the reception desk, cold white color (verging on the blue shade);
- 5 Corner slate** - stainless steel 4 mm
- 6 Kick plate** - HPL - brushed aluminium
- 7 Leveling** - 5 mm range

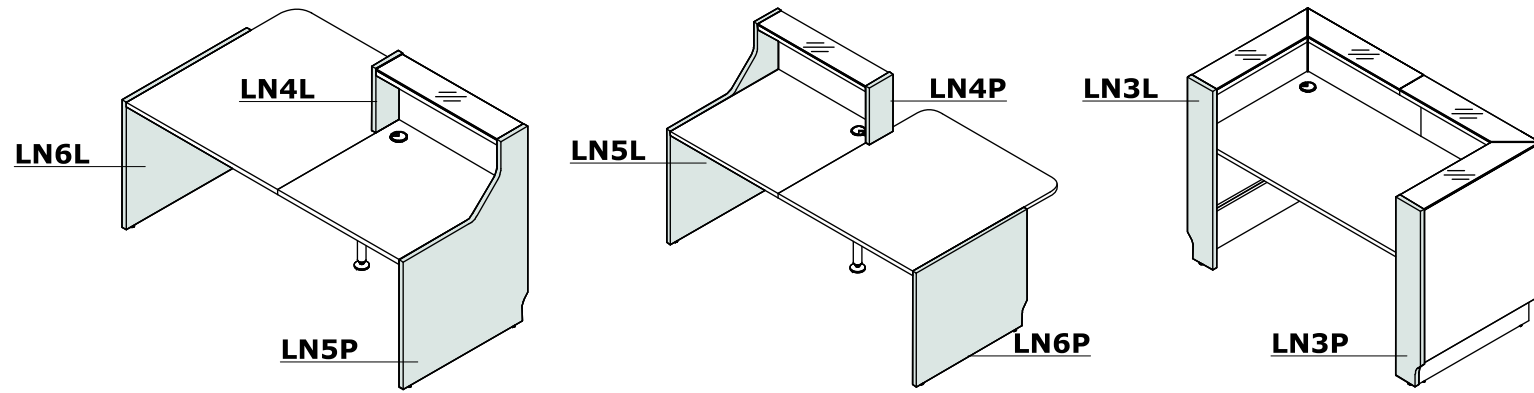


Technical specification



- 1 Low side panel** - MFC 28 mm, ABS edge 2 mm
- 2 Side panel linking low and high fronts** - MFC 28 mm, ABS edge 2 mm
- 3 Cable grommets** - Ø80 mm
- 4 Supporting leg NL41** - required for connecting the tops
- 5 High side panel** - MFC 28 mm, ABS edge 2 mm
- 6 OPTION WITH EXTRA CHARGE** - working top with lowered monitor shelf - MFC 28 mm, ABS edge 2 mm
- 7 Light switch**
- 8 LMS05** - reception desk storage; order separately
- 9 Shelf** - MFC 12 mm, ABS edge 2 mm
- 10 Top** - MFC 12 mm, ABS edge 2 mm
- 11 Body** - MFC 18 mm, ABS edge 2 mm
- 12 Optional front with lock** - universal (left, right); - MFC 18 mm, ABS edge; - ordered as separate element

Ending elements application



Dimensions (mm)

