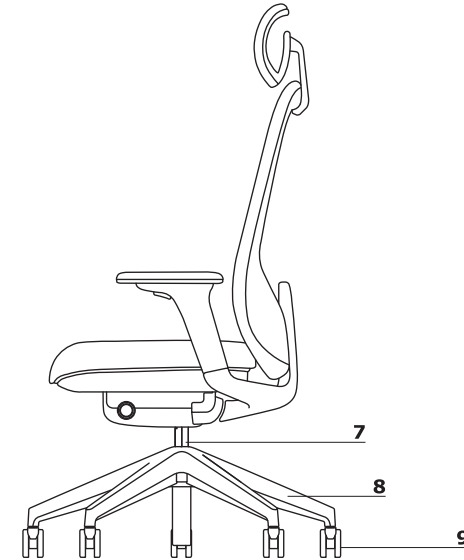
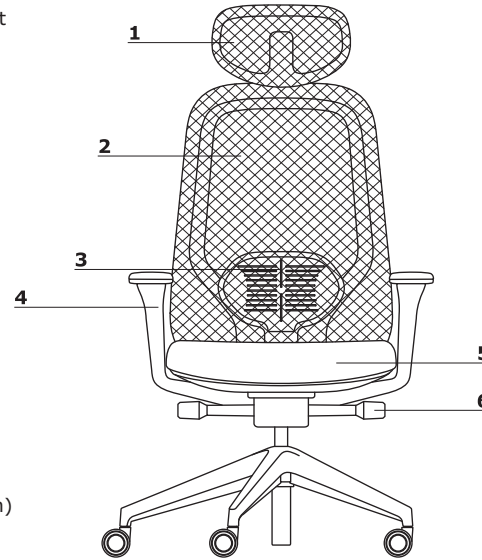


Technical specification

- 1 OPTION WITH EXTRA CHARGE** - headrest - black mesh; tilt adjustment 18°; manual height adjustable 2 4/8" (62mm)
- 2 Backrest** - mesh, colour: black; manual height adjustable 3 1/8" (78 mm)
- 3 Lumbar support** - depth adjustment 5/8" (15 mm), 3 positions (0; +7.5 mm; +15 mm)
- 4 Armrest 4D** - soft TPU armrest tops, colour: black; height adjustment 3 7/8" (100 mm); horizontal adjustment 2" (50 mm); depth adjustment 1 1/8" (30 mm); side rotation of armrest cushion by 15°
- 5 Seat** - structure made of plastic; filling - moulded foam; flame retardant, density of 60 kg/m³, upholstered; seat depth adjustment - depth adjustment 2 7/8" (72 mm)
- 6 Mechanism** - Synchro Pro:
 - tilt angle of the backrest 20° and the seat 9°
 - designed for usage 45 and 120kg
 - 4 locking positions
- 7 Actuator** - steel gas spring, adjustment range 4 3/8" (110 mm), color: black
- 8 Base** - 5-star, polypropylene, Ø=26 6/8" (680 mm), h=4 7/8" (124 mm); OPTION WITH EXTRA CHARGE - 5-star, polished aluminum, Ø=26 6/8" (680 mm), h=4 7/8" (124 mm)
- 9 Castors** - Ø 2 4/8" (Ø 65 mm), for soft floors PP+PA, color: black; OPTION WITH EXTRA CHARGE - for hard floors PP+PA, color: black



Maximum load is 120 kg.

Dimensions (inch/mm)

