

Technical specification

1 Top panel:

- outside - MDF 28 mm, upholstered, clour: LDS27 - black
- inside - chipboard 4/8" (12 mm) upholstered, colour: LDS27 - black, two-point lighting; exhaust fans activated by a motion detector(adjustable ventilation speed) ; ventilation grate in the floor

2 Body - 2 2/8" (58 mm), upholstered walls with acoustic filling

3 Shelf - MDF board 1 1/8" (28 mm), lacquered, measurements: 42 1/8" x 15 2/8" x 1 1/8" (1070x388x28), color: black

4 Mediabox - 2x110V + 1xUSB + 1xUSB type C

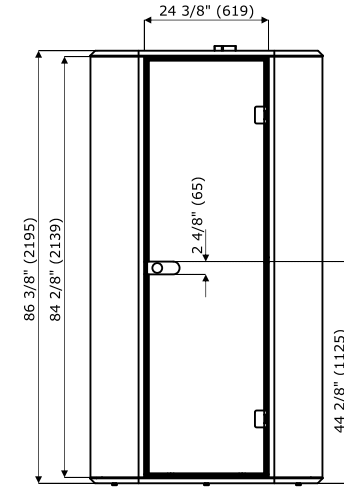
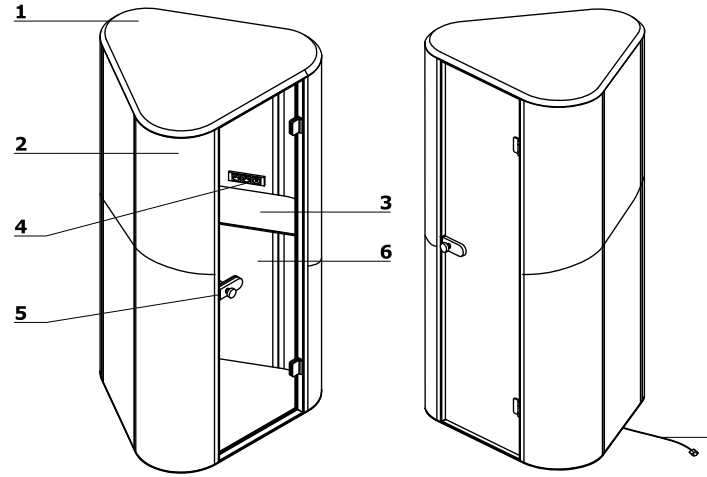
5 Rotary knob - powder coated steel, colour: black

6 Door - toughened glass 3/8" (8 mm), clear, right

7 Bottom rim:

- outside - MDF 28 mm, upholstered, clour: LDS27 - black
- inside - chipboard 6/8" (18 mm), carpet, color: graphite

8 Electric hook - up



Stool

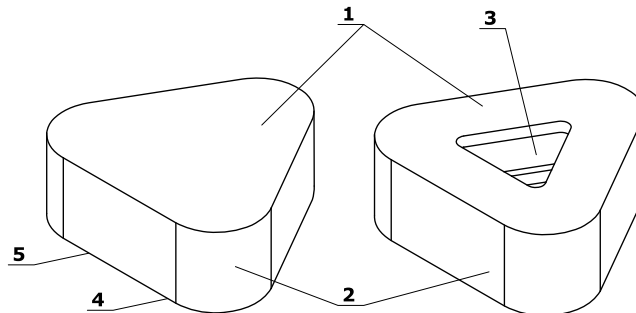
1 Seat - upholstered, filled with 2 3/8" (60 mm) thick foam

2 Body - chipboard frame

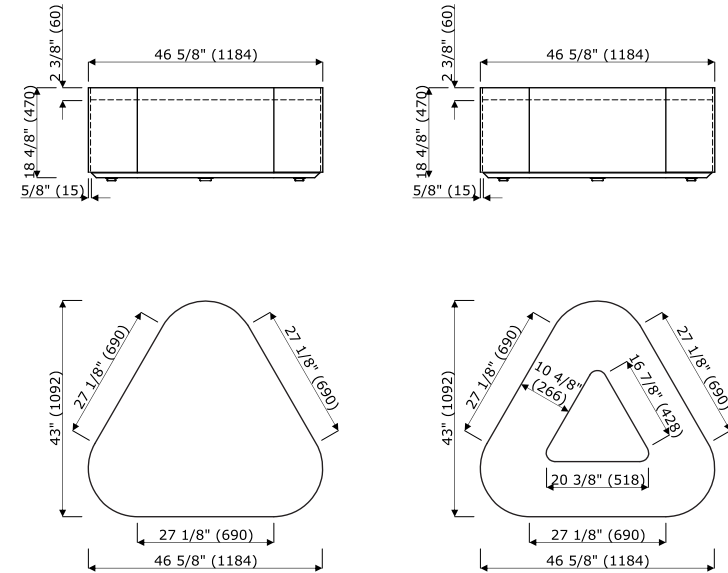
3 Plant pot - plastic, depth 18 4/8" (470 mm)

4 Feet - plastic, 3 units

5 Base - lacquered MDF, colour: black



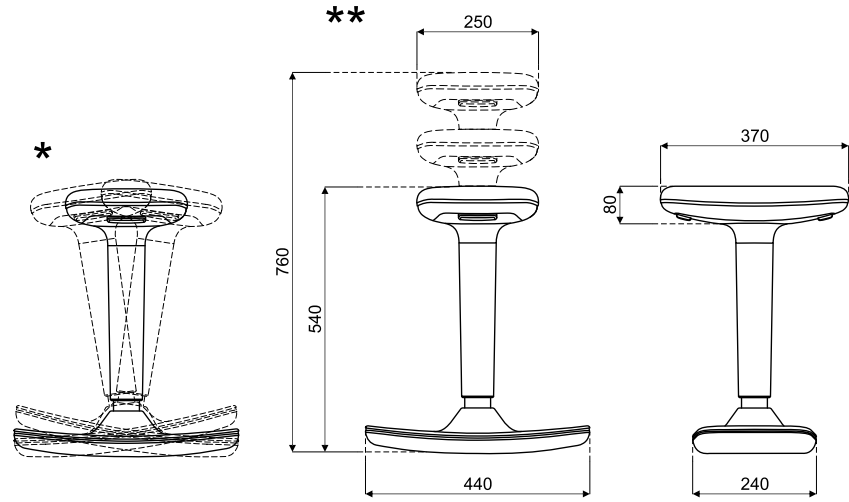
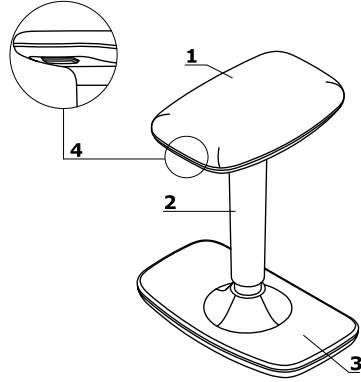
Dimensions (inch/mm)



Cool - stool

Dimensions (inch/mm)

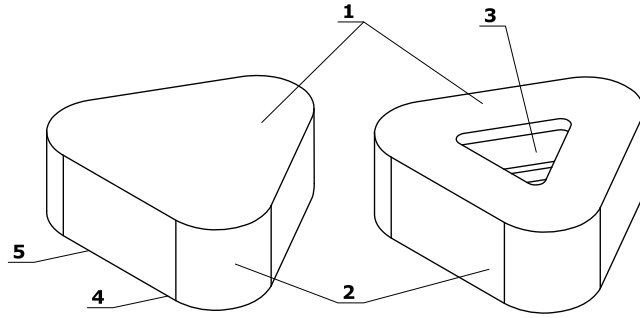
- 1 360° Seat** - polypropylene base, molded foam, density of 65 kg/m³, upholstered
- 2 Gas lift** - polypropylene cover
- 3 Base** - polypropylene, covered in non-slip rubber
- 4 Button** - allowing for height adjustment



* wobble (left, right) $\pm 20^\circ$

Stool

- 1 Seat** - upholstered, filled with 2 3/8" (60 mm) thick foam
- 2 Body** - chipboard frame
- 3 Plant pot** - plastic, depth 18 4/8" (470 mm)
- 4 Feet** - plastic, 3 units
- 5 Base** - lacquered MDF, colour: black



Dimensions (inch/mm)

