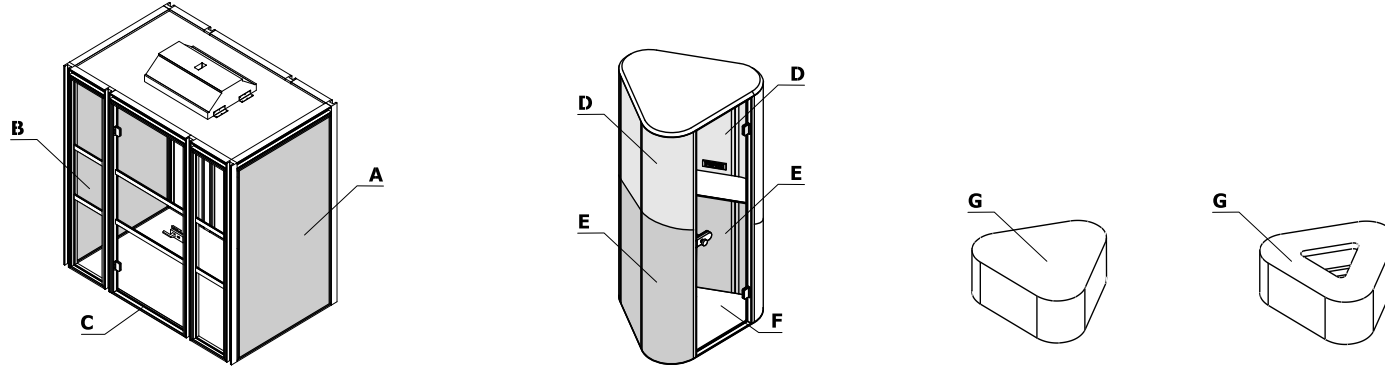


Colour combination - Office booths



Material	Colour	Hako			Hana												
		A - Walls - outside	B - Walls - inside	C - Frame	D - Walls - top	E - Walls - bottom	F - Floor	G - Seat									
Fabric	Mica	✓	✓		✓	✓		✓									
	Medley	✓	✓		✓	✓		✓									
	Go Check	✓	✓		✓	✓		✓									
	****Charles	✓	✓		✓	✓		✓									
	Synergy	III group	III group		III group	III group		III group									
	***Silvertex	III group	III group		III group	III group		III group									
	Oceanic	III group	III group		III group	III group		III group									
	Quest	III group	III group		III group	III group		III group									
	Grain	III group	III group		III group	III group		III group									
	*Customer's own fabric	III group	III group		III group	III group		III group									
	Atlas	IV group	IV group		IV group	IV group		IV group									
Metal	M010 - light grey semi-matt RAL 7044			✓													
	M014 - red semi-matt RAL 3016			✓													
	M154 - anthracite semi-matt RAL 7043			✓													

* Employing the customer's fabric requires running upholstery tests in order to check the possibility of realisation.

*** There is a possibility of ordering the product in full colour spectrum of Silvertex range, as per Spradling's pattern book, within 15 working days.

**** There is a possibility of ordering the product in full colour spectrum of Charles range, as per Dekoma pattern book, within the standard delivery time.

