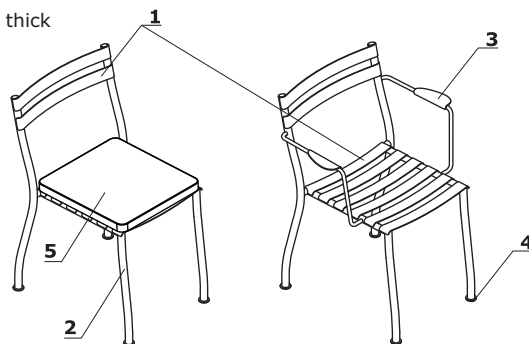


Chairs

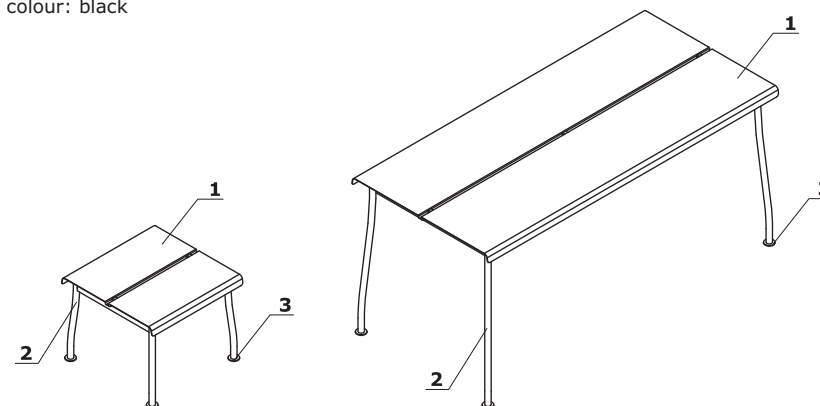
- 1 Seat, backrest** - bars made of galvanised steel, outdoor-durable powder-coated, 2 mm thick
- 2 Base** - galvanised steel tube, outdoor-durable powder-coated, Ø25 mm
- 3 Armrests** - galvanised steel rod, outdoor-durable powder-coated, Ø12 mm + galvanised sheet metal, outdoor-durable powder-coated, 2 mm thick
- 4 Polypropylene feet, colour: black**
- 5 Cushion** - cut foam, density of 28 kg/m³, upholstered; fixed with Velcro straps



ATTENTION - max. load 120 kg; chairs can be stacked (max 4 pieces); sold as a set of 2

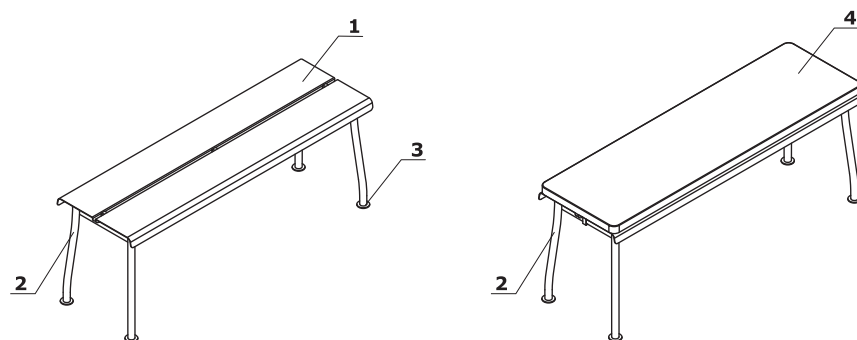
Meeting tables

- 1 Worktop** - galvanised steel sheet, outdoor-durable powder-coated, 2 mm thick
- 2 Base** - galvanised steel tube, outdoor-durable powder-coated, Ø25 mm
- 3 Steel washer** - galvanised, outdoor-durable powder-coated, 4 mm thick + plastic glide, colour: black



Bench

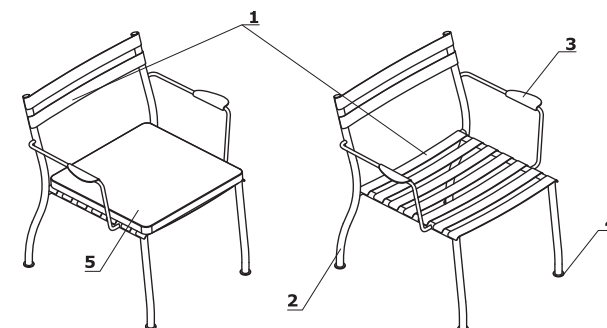
- 1 Seat** - galvanised sheet metal, outdoor-durable powder-coated, 2 mm thick
- 2 Base** - galvanised steel tube, outdoor-durable powder-coated, Ø25 mm
- 3 Steel washer** - galvanised, outdoor-durable powder-coated, 4 mm thick
- 4 Cushion** - cut foam, density of 28 kg/m³, upholstered; fixed with Velcro straps



ATTENTION - max. load 240 kg

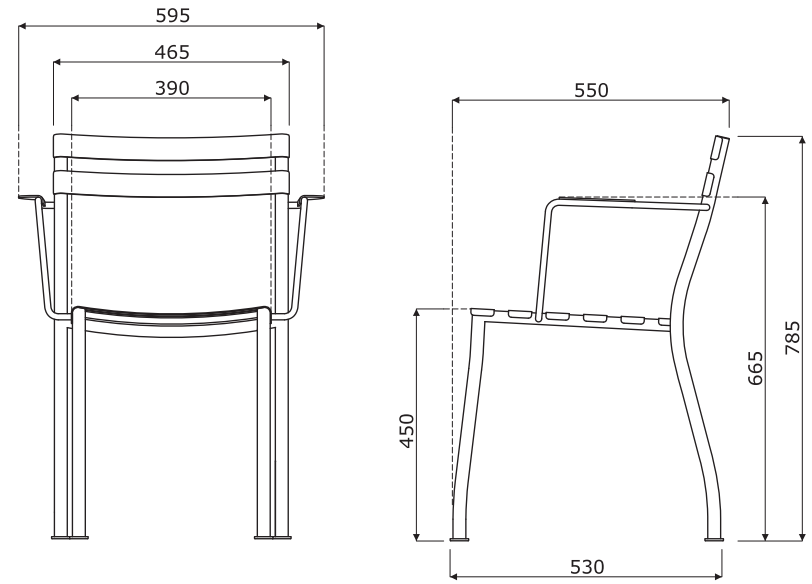
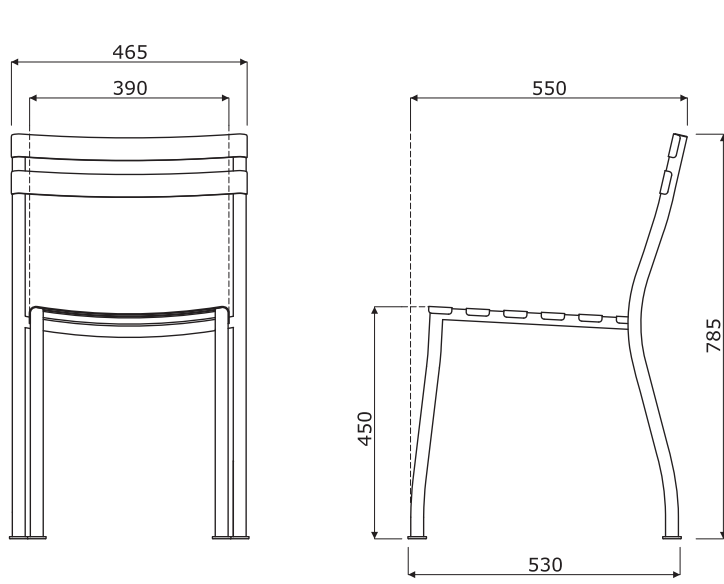
Armchair

- 1 Seat, backrest** - bars made of galvanised steel, outdoor-durable powder-coated, 2 mm thick
- 2 Base** - galvanised steel tube, outdoor-durable powder-coated, Ø25 mm
- 3 Armrests** - galvanised steel rod, outdoor-durable powder-coated, Ø12 mm + galvanised sheet metal, outdoor-durable powder-coated, 2 mm thick
- 4 Polypropylene feet, colour: black**
- 5 Cushion** - cut foam, density of 28 kg/m³, upholstered; fixed with Velcro straps



ATTENTION - max. load 120 kg; chairs can be stacked (max 4 pieces)

Dimensions (mm)



Armchair - dimensions (mm)

