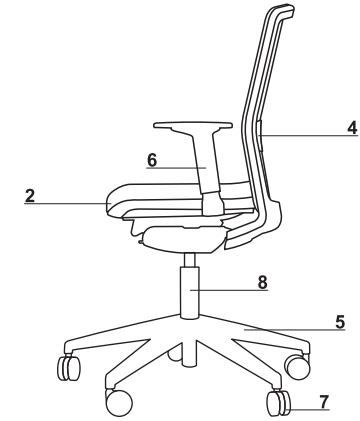
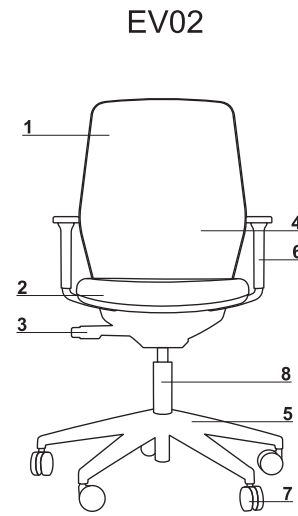
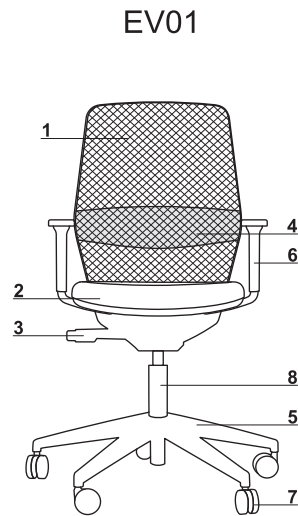


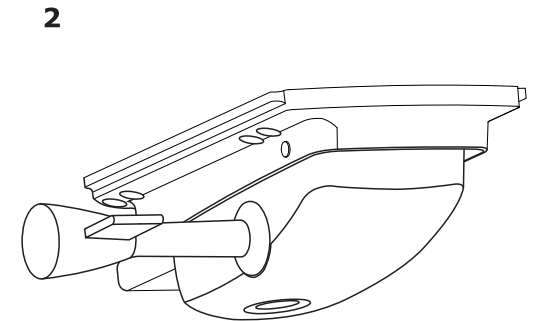
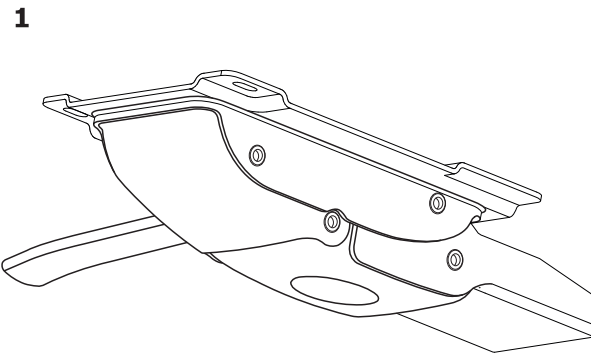
Technical specification

- 1 Backrest** - mesh or upholstery (40 mm thick, density 50kg/m³)
- 2 Seat** - upholstered (density 52kg/m³), sliding - 60 mm range
- 3 Mechanism** - Auto Synchro; OPTION WITH EXTRA CHARGE - Synchro
- 4 Lumbar support** - manual height adjustable (60 mm)
- 5 Base** - 5-star, polypropylene, Ø=680 mm, h=124 mm; OPTION WITH EXTRA CHARGE - 5-star, polished aluminium, Ø=680 mm, h=124 mm
- 6 OPTION WITH EXTRA CHARGE** - Armrest 2D - soft TPU armrest tops, colour: black; height adjustment 60 mm; - horizontal adjustment 50 mm
- 7 Castors** - Ø65 mm, for soft floors PP+PA, colour: black; OPTION WITH EXTRA CHARGE - for hard floors PP+PA, colour: black
- 8 Actuator** - steal gas spring; adjustment range 100 mm; colour: chrome or black



Mechanism

- 1 AUTO SYNCHRO**
 - 4 locking positions
 - antishock (protects the user from being hit in the back with the backrest)
 - self - weighting mechanism (adjusts the backrest and seat tilting according to the user's weight - no manual adjustment of the tilting spring required)
- 2 OPTION WITH EXTRA CHARGE** - Synchro
 - 5 locking position
 - antishock (protects the user from being hit in the back with the backrest)
 - synchronized adjustment of seat and backrest; lateral lever for the manual adjustment of the backrest tilt tension according to the user's weight.



Dimensions (mm)

