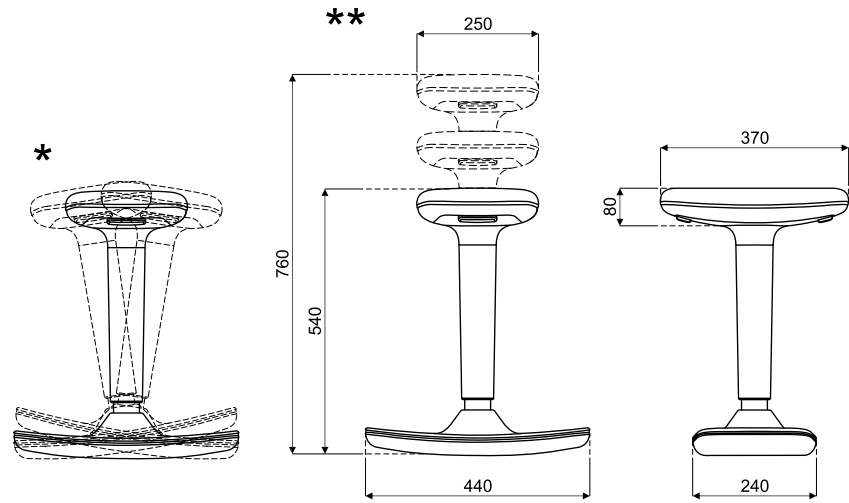
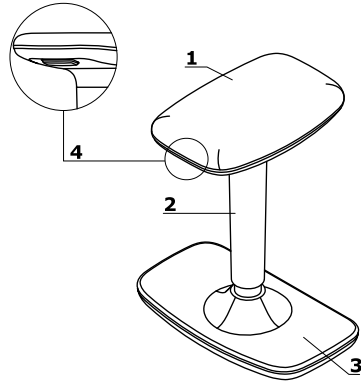


Cool - stool**Dimensions (inch/mm)**

- 1 360° Seat** - polypropylene base, molded foam, density of 65 kg/m³, upholstered
- 2 Gas lift** - polypropylene cover
- 3 Base** - polypropylene, covered in non-slip rubber
- 4 Button** - allowing for height adjustment



* wobble (left, right) +/- 20°