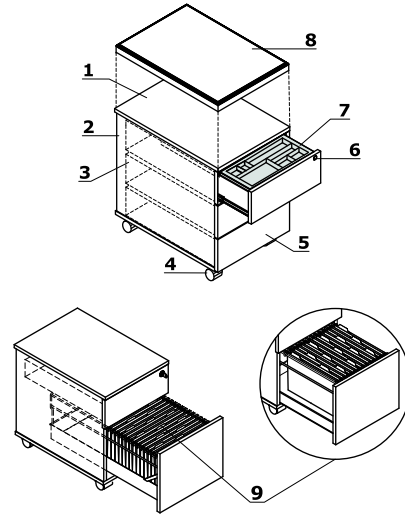


## Mobile pedestal without handles

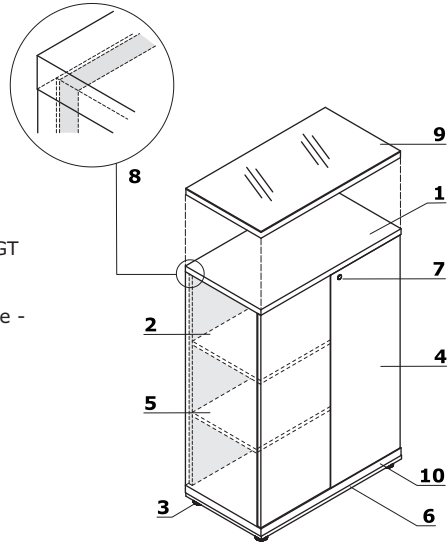
- 1 Top** - MFC 18 mm
- 2 Body** - MFC 18 mm, ABS edge 2 mm
- 3 Metal drawer** - roll runners, max load 25 kg, 80% extraction, anti-tilt mechanism; OPTION WITH EXTRA CHARGE - ball runners, soft-closing system
- 4 Castors** - Ø50 mm, two with brakes
- 5 Front** - MFC 18 mm, coated with HPL - mat, ABS edge 2 mm
- 6 Central lock** - foldable key
- 7 Pencil tray** - plastic, colour: black
- 8 Optional cushion SKP13** - for pedestal, max load 120 kg, ordered separately
- 9 Suspension files drawer** - ball runners, max load 30 kg, 100% extraction, A4 folders can be situated parallelly and perpendicularly to the front



ATTENTION - sitting on the pedestal possible only after mounting the cushion (SKP13); the pedestal with cushion is intended for sitting only - moving the pedestal while sitting may result in damaging the castors

### Storages with HPL front

- 1 **Top** - MFC 28 mm, ABS edge 2 mm
- 2 **Body** - MFC 18 mm, ABS edge 2 mm
- 3 **Leveling feet 27 mm** - range 5 mm
- 4 **Front** - Push-to-Open, MFC/ HPL 18 mm
- 5 **Shelf** - MFC 18 mm, protection against accidental falling-out, ABS edge 2 mm, max load 30 kg
- 6 **Base** - MFC 18 mm, ABS edge 2 mm
- 7 **Patent lock**
- 8 **Back MFC** - 18 mm, ABS edges 2 mm
- 9 **OPTION WITH EXTRA CHARGE** - top A800GT - MFC 28 mm + LACOBEL glass 4 mm, ordered separately
- 10 **OPTION WITH EXTRA CHARGE** - metal base - colour: M009 - aluminium semi-matt



### Glass storage

- 1 **Top** - MFC 28 mm, ABS edge 2 mm
  - 2 **Body** - MFC 18 mm, ABS edge 2 mm
  - 3 **Leveling feet 27 mm** - range 5 mm
  - 4 **Front** - Push-to-Open, MFC/ HPL 18 mm
  - 5 **Shelf** - MFC 18 mm, protection against accidental falling-out, ABS edge 2 mm, max load 30 kg
  - 6 **Base** - MFC 18 mm, ABS edge 2 mm
  - 7 **Patent lock**
  - 8 **Back MFC** - 18 mm, ABS edges 2 mm
  - 9 **Glass front** - basic version AS31 - glass door 30H, transparent tempered glass 4 mm; universal ( left, right)
- OPTION WITH EXTRA CHARGE:**
- **IM300** - glass door 30H, transparent tempered glass 4 mm, with aluminum frame
  - **AS300** - glass door 30H, frosted tempered glass 4 mm, with aluminum frame
- 10 **OPTION WITH EXTRA CHARGE** - metal base - colour: M009 - aluminium semi-matt

