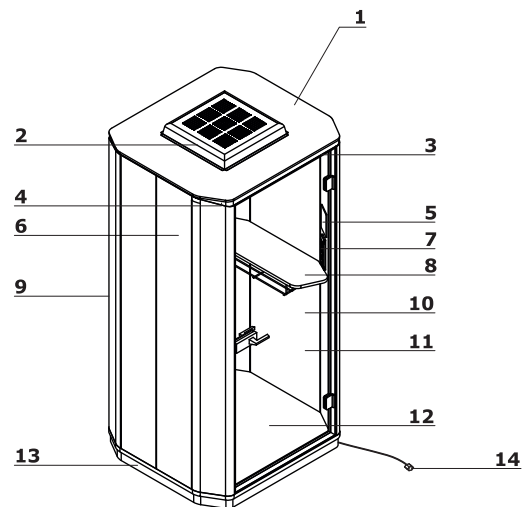
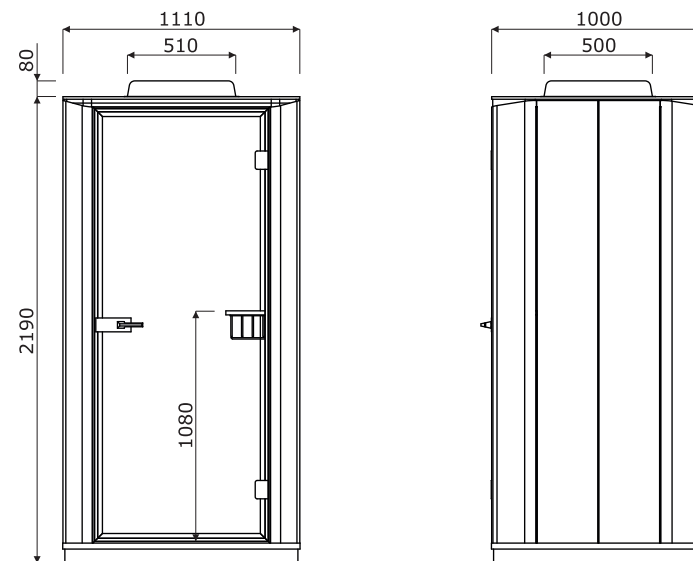


Technical specification

- 1 Ceiling** - varnished MDF board, upholstered, colour: LDS20 - grey; fitted with lighting and fan
- 2 Ventilator** - ceiling-mounted fan with airflow adjustment
- 3 Motion sensor** - activation of lighting, fans, touch panel and signal lamps
- 4 Signal lamps** - 4 pcs.; red light - occupied, green light - free
- 5 Control panel** - regulation of lighting intensity and air flow
- 6 External wall** - powder coated steel; 1mm thick
- 7 Mediabox** - 2x230V + 1 x USB A + 1 x USB C
- 8 Shelf** - MDF 19mm, frame - steel rod $\varnothing 6$ mm; colour: black
- 9 Glass wall** - acoustic safety glass, thickness 10mm, aluminum profile 52x45mm
- 10 Internal wall** - filled with acoustic foam, upholstered
- 11 Glass doors** - acoustic safe glass, thickness 10mm; equipment: hinges, handle and seal system
- 12 Floor** - MDF 31 mm + acoustic fitted carpet
- 13 Wheels** - covered with a plinth, allow the booth to be easily moved
- 14 Electrical connection** - cable outlet in the roof or plinth



Dimensions (mm)



Dimensions - shelf (mm)

