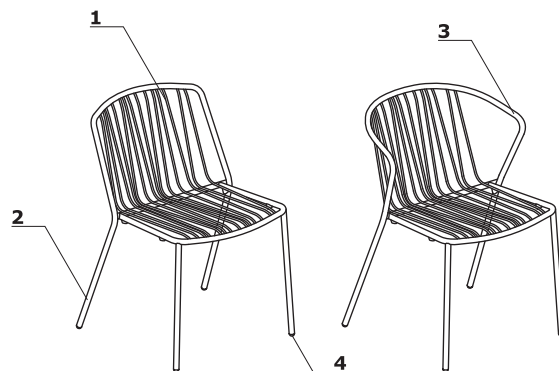


Technical specification - chairs

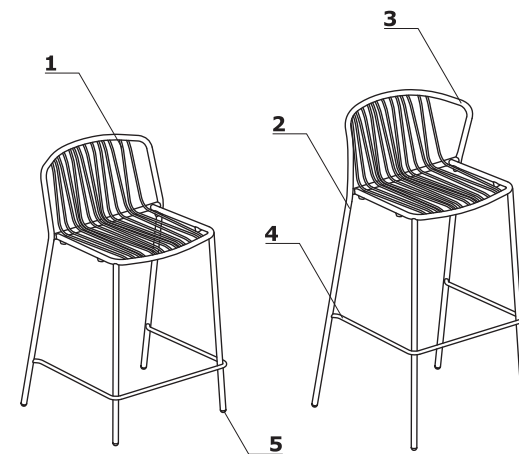
- 1 **Seat, backrest** - open-work, $\text{\O}2/8''$ (6 mm) wire made of galvanised steel, outdoor-durable powder-coated
- 2 **Base** - galvanised steel rod, outdoor-durable powder-coated, $\text{\O}6/8''$ (18 mm)
- 3 **Podłokietnik** - galvanised steel rod, outdoor-durable powder-coated, $\text{\O}6/8''$ (18 mm)
- 4 **Polypropylene feet, colour: black**



ATTENTION - max. load 120 kg; chairs can be stacked (max 4 pieces); sold as a set of 2

Technical specification - high stool

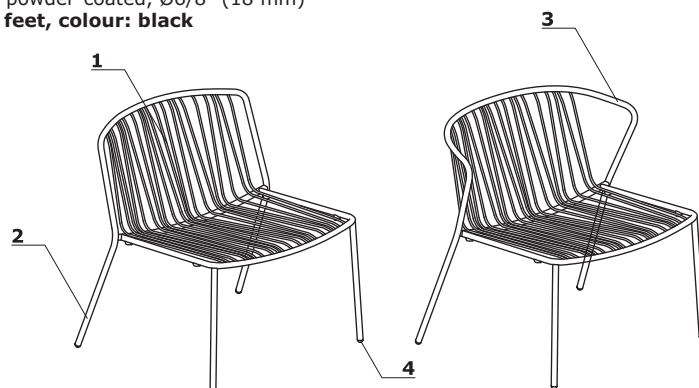
- 1 **Seat, backrest** - open-work, $\text{\O}2/8''$ (6 mm) wire made of galvanised steel, outdoor-durable powder-coated
- 2 **Base** - galvanised steel rod, outdoor-durable powder-coated, $\text{\O}6/8''$ (18 mm)
- 3 **Podłokietnik** - galvanised steel rod, outdoor-durable powder-coated, $\text{\O}6/8''$ (18 mm)
- 4 **Footrest** - galvanised steel rod, outdoor-durable powder-coated, $\text{\O}4/8''$ (12 mm)
- 5 **Polypropylene feet, colour: black**



ATTENTION - max. load 120 kg; chairs can be stacked (max 4 pieces); sold as a set of 2

Technical specification - armchair

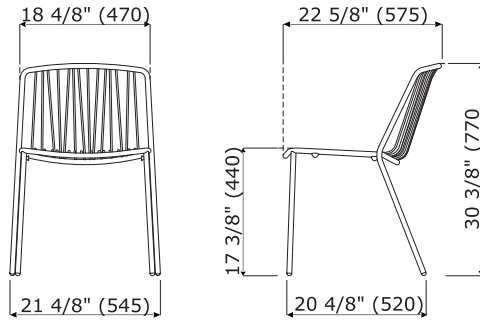
- 1 **Seat, backrest** - open-work, $\text{\O}2/8''$ (6 mm) wire made of galvanised steel, outdoor-durable powder-coated
- 2 **Base** - galvanised steel rod, outdoor-durable powder-coated, $\text{\O}6/8''$ (18 mm)
- 3 **Podłokietnik** - galvanised steel rod, outdoor-durable powder-coated, $\text{\O}6/8''$ (18 mm)
- 4 **Polypropylene feet, colour: black**



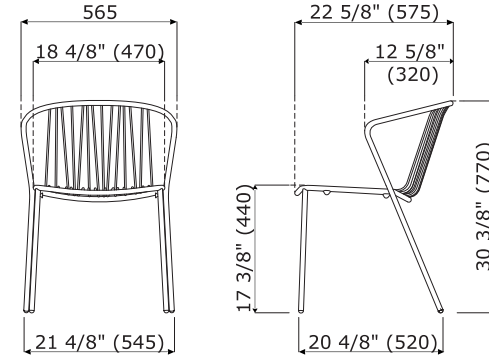
ATTENTION - max. load 120 kg; chairs can be stacked (max 4 pieces)

Dimensions (inch/mm)

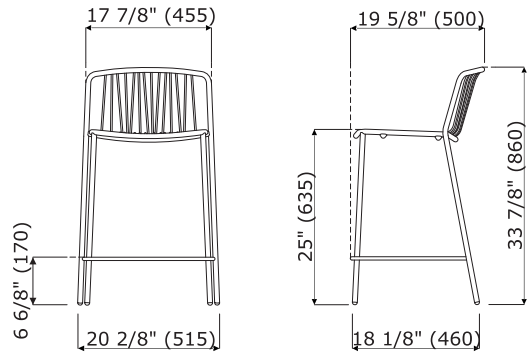
BRS01



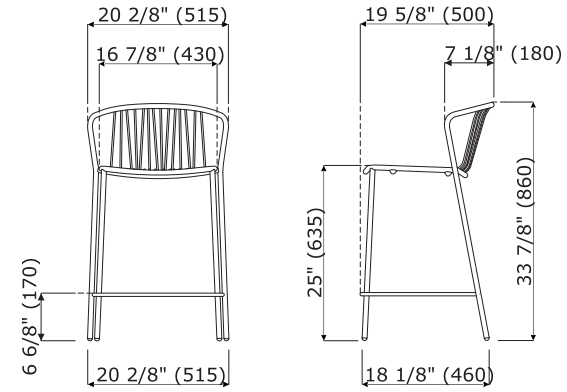
BRS02



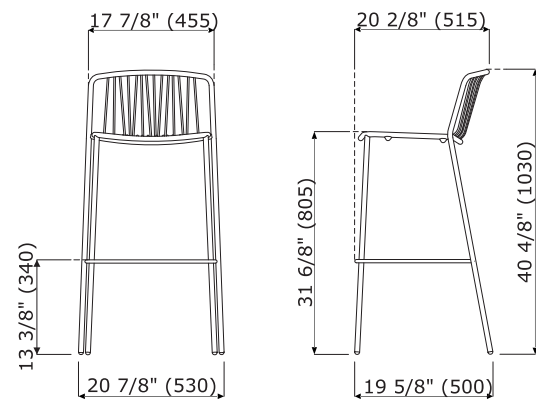
BRS03



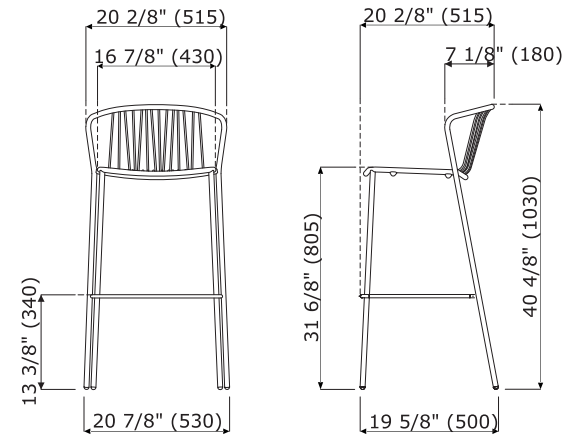
BRS04



BRS05

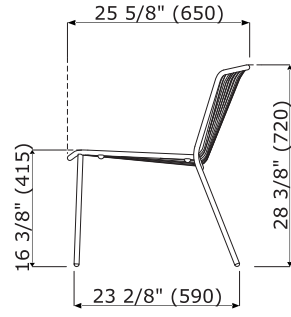
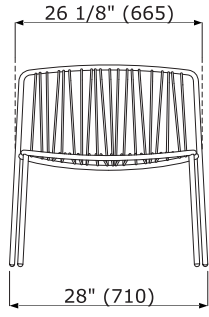


BRS06



Armchair - dimensions (inch/mm)

BRS07



BRS08

