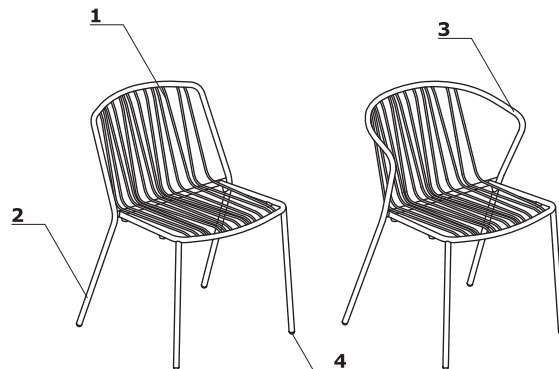


Technical specification - chairs

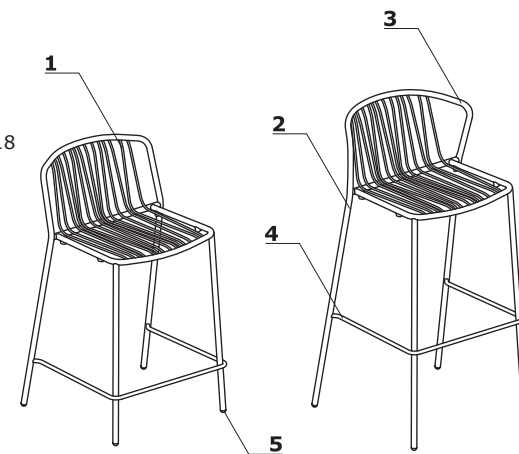
- 1 Seat, backrest** - open-work, Ø6 mm wire made of galvanised steel, outdoor-durable powder-coated
- 2 Base** - galvanised steel rod, outdoor-durable powder-coated, Ø18 mm
- 3 Podłokietnik** - galvanised steel rod, outdoor-durable powder-coated, Ø18 mm
- 4 Polypropylene feet, colour: black**



ATTENTION - max. load 120 kg; chairs can be stacked (max 4 pieces); sold as a set of 2

Technical specification - high stool

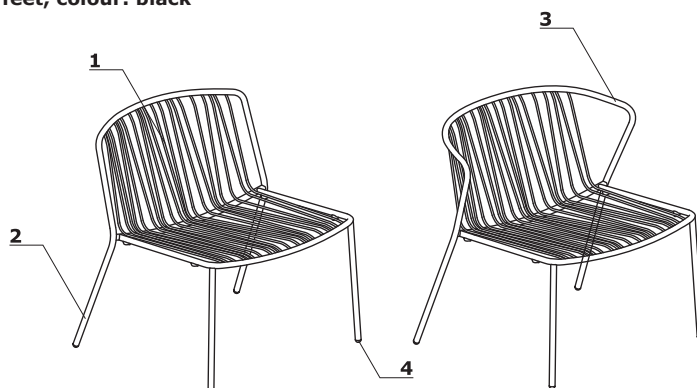
- 1 Seat, backrest** - open-work, Ø6 mm wire made of galvanised steel, outdoor-durable powder-coated
- 2 Base** - galvanised steel rod, outdoor-durable powder-coated, Ø18 mm
- 3 Podłokietnik** - galvanised steel rod, outdoor-durable powder-coated, Ø18 mm
- 4 Footrest** - galvanised steel rod, outdoor-durable powder-coated, Ø12 mm
- 5 Polypropylene feet, colour: black**



ATTENTION - max. load 120 kg; chairs can be stacked (max 4 pieces); sold as a set of 2

Technical specification - armchair

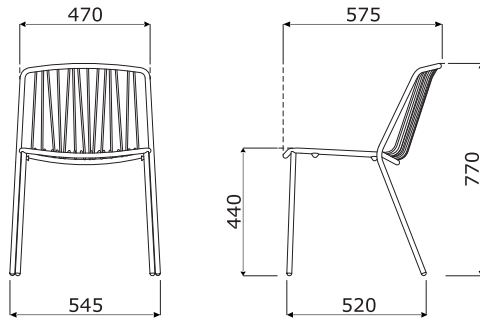
- 1 Seat, backrest** - open-work, Ø6 mm wire made of galvanised steel, outdoor-durable powder-coated
- 2 Base** - galvanised steel rod, outdoor-durable powder-coated, Ø18 mm
- 3 Podłokietnik** - galvanised steel rod, outdoor-durable powder-coated, Ø18 mm
- 4 Polypropylene feet, colour: black**



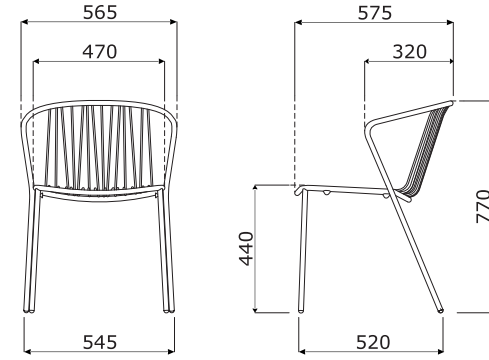
ATTENTION - max. load 120 kg; chairs can be stacked (max 4 pieces)

Dimensions (mm)

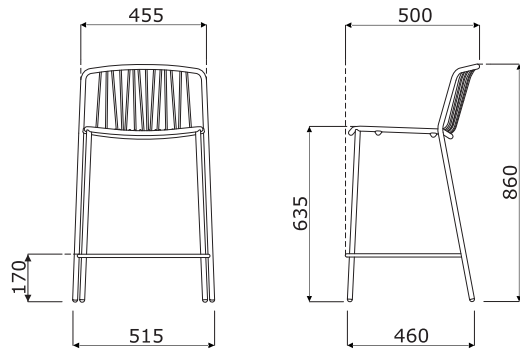
BRS01



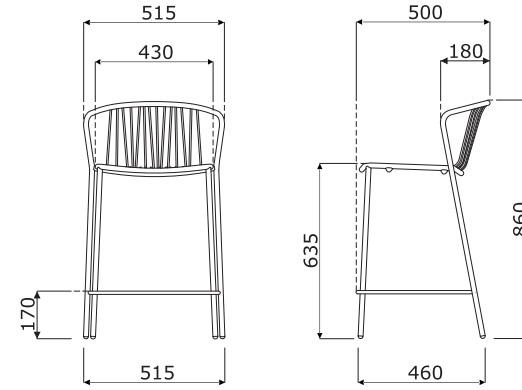
BRS02



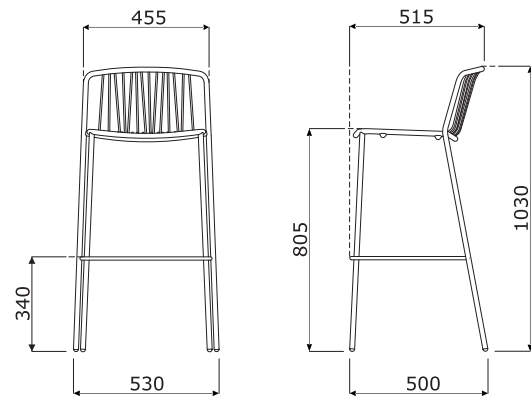
BRS03



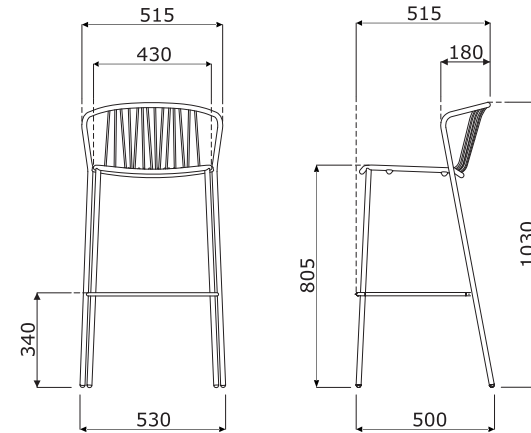
BRS04



BRS05

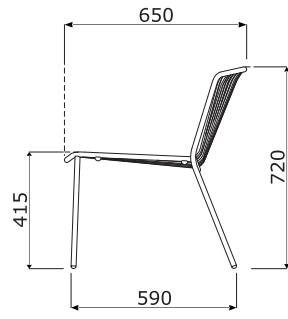
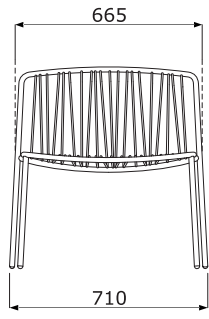


BRS06



Armchair - dimensions (mm)

BRS07



BRS08

