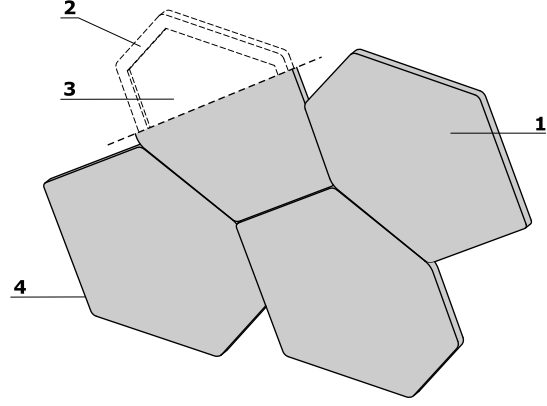


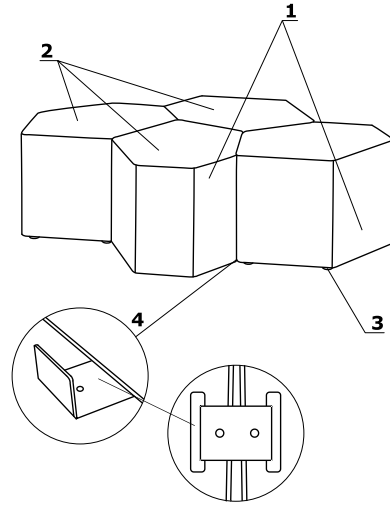
Bazalto - Wall-mounted screen

- 1 Screen** - one-side upholstery, Sonic technology structure with A-class acoustics certificate, pinnable
- 2 Frame** - chipboard
- 3 Filling** - acoustic nonwoven with high sound absorption and dispersion properties
- 4 Fixing element** - glue (1 pack is enough for 6 panels) - order separately (BKL1)



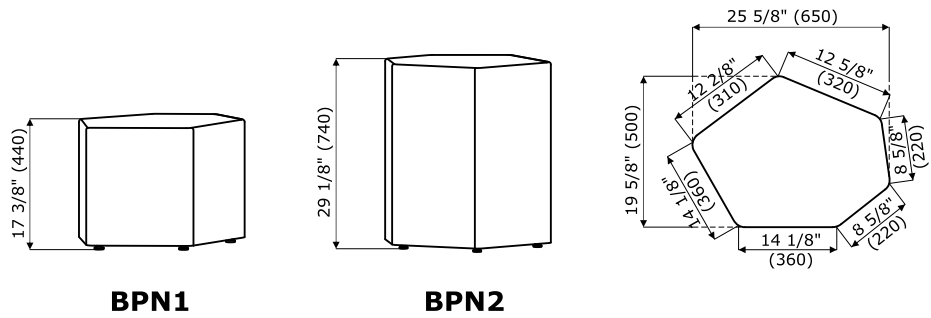
Technical specification

- 1 **Body** - MFC 6/8" (18 mm), 1 1/8" (28 mm) and HDF 1/8" (3 mm), fixed with confirmat screws
- 2 **Seat** - cut foam: thickness 2" (50 mm)
- 3 **Polypropylene feet** - Ø1 1/8" (30 mm), 6 pcs
- 4 **Metal connecting elements** - profile 1/8" (2 mm), laser-cut, powder coated, color: black

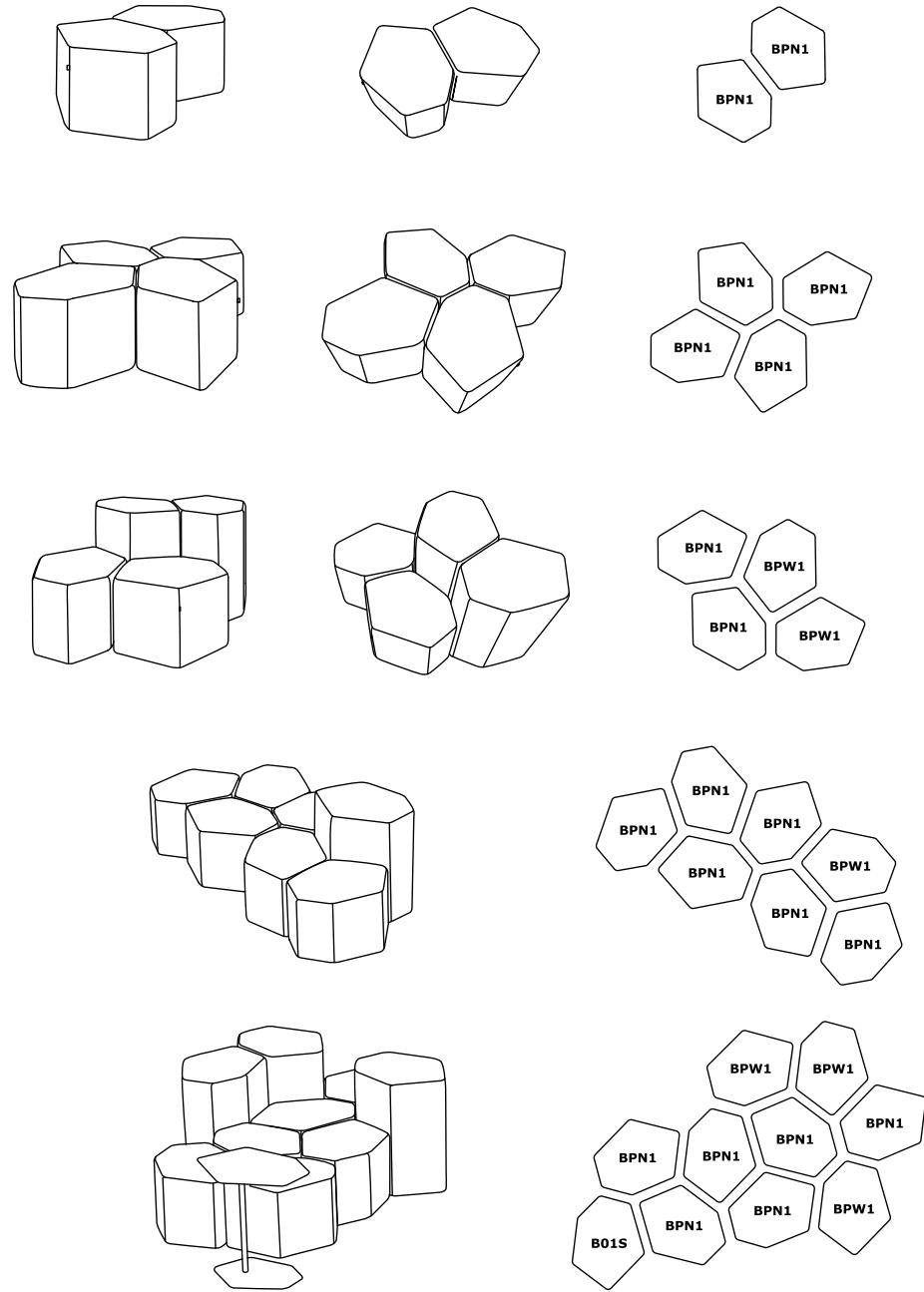


- max. load 120 kg

Dimensions (inch/mm)



Configuration examples



Table

- 1 Top** - mass-dyed HPL, 3/8" (10 mm) thick
- 2 Frame** - vertical column made of tube \varnothing 1 1/8" (30 mm), wall thickness 1/8" (2 mm), powder coated
- 3 Base** - sheet metal, powder coated steel, thickness 2/8" (5 mm)

