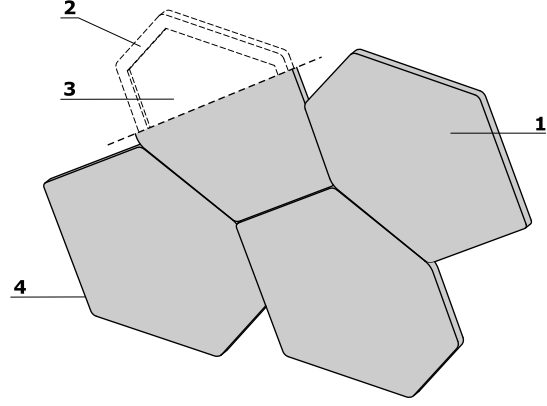


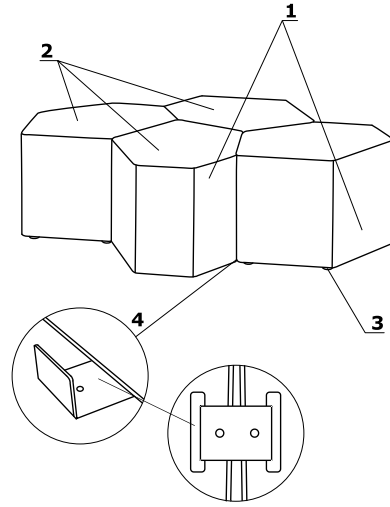
Bazalto - Wall-mounted screen

- 1 Screen** - one-side upholstery, Sonic technology structure with A-class acoustics certificate, pinnable
- 2 Frame** - chipboard
- 3 Filling** - acoustic nonwoven with high sound absorption and dispersion properties
- 4 Fixing element** - glue (1 pack is enough for 6 panels) - order separately (BKL1)



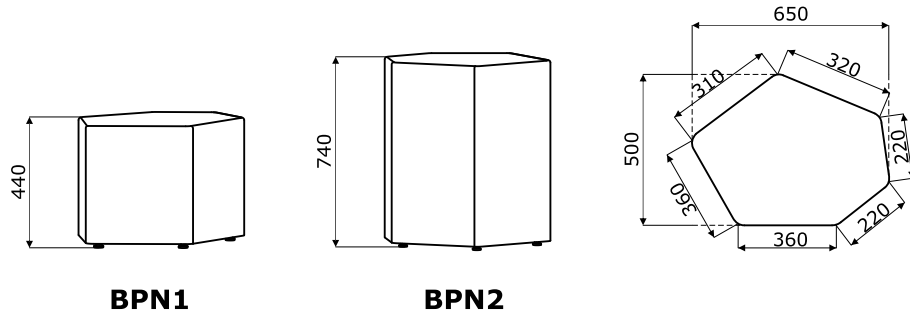
Technical specification

- 1 Body** - MFC 18 mm, 28 mm and HDF 3 mm, fixed with confirmat screws
- 2 Seat** - cut foam: thickness 50 mm
- 3 Polypropylene feet** - Ø30 mm, 6 pcs
- 4 Metal connecting elements** - profile 2 mm, laser-cut, powder coated, colour: black

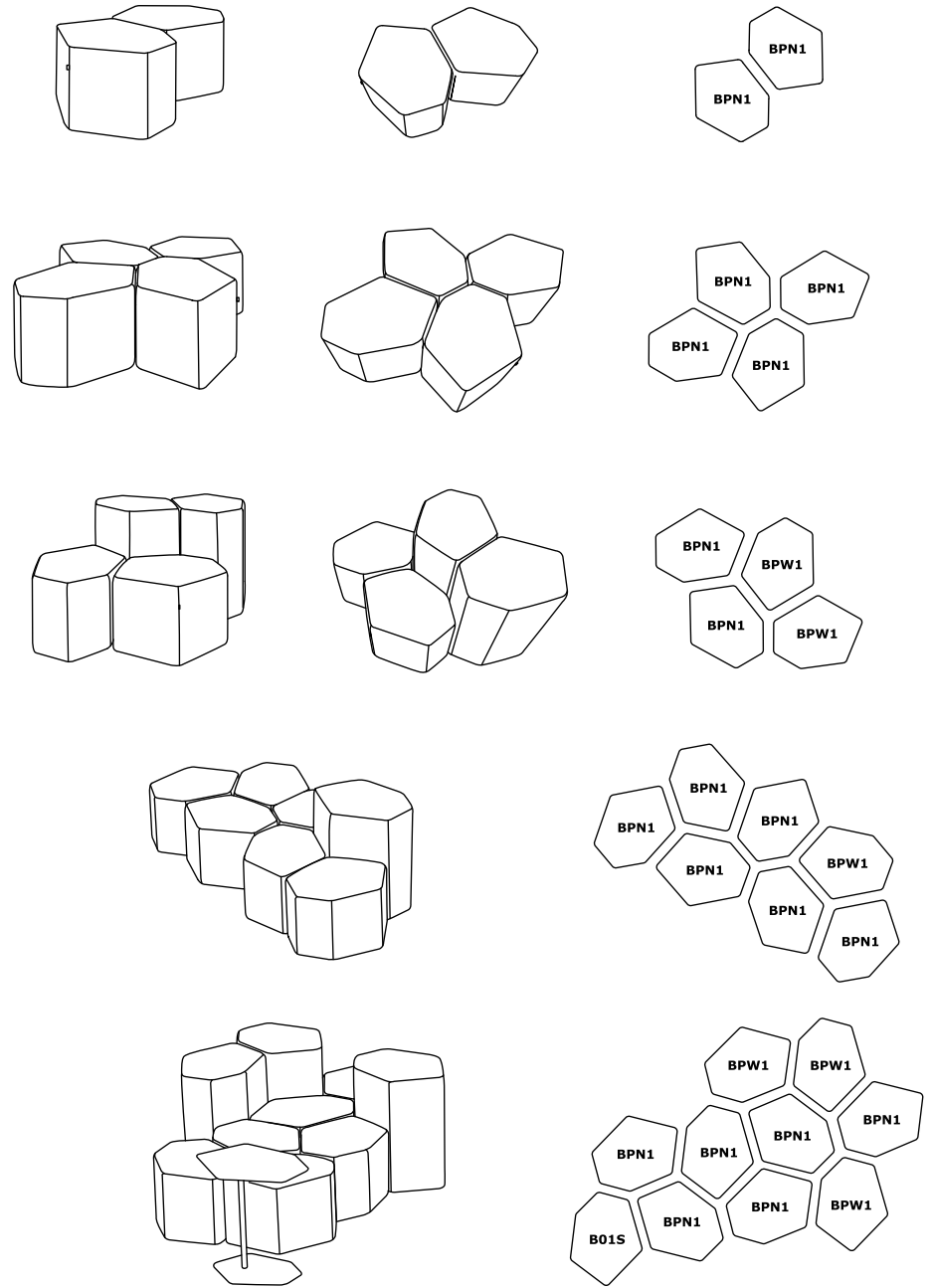


- max. load 120 kg

Dimensions (mm)

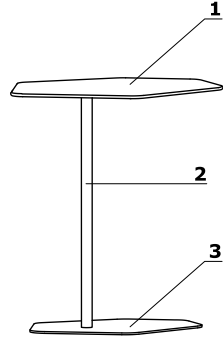


Configuration examples



Table

- 1 Top** - mass-dyed HPL, 10 mm thick
- 2 Frame** - vertical column made of tube
Ø30 mm, wall thickness 2 mm, powder coated
- 3 Base** - sheet metal, powder coated
steel, 5 mm thick



Dimensions (mm)

