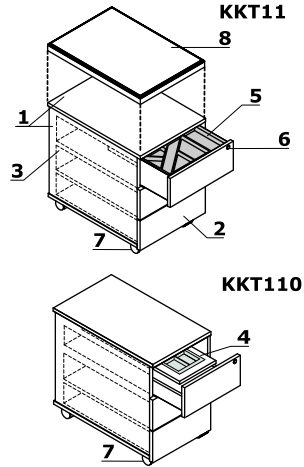


### Mobile pedestal without handles

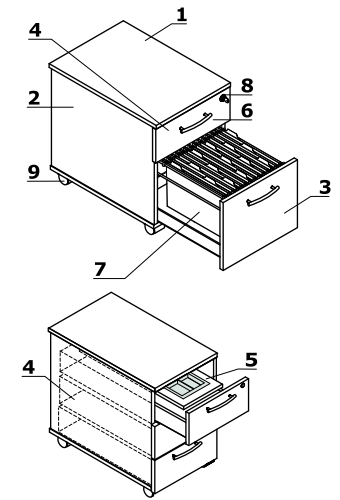
- 1 **Body** - MFC 18 mm, ABS edge 2 mm
- 2 **Front** - MFC 18 mm, ABS edge 2 mm
- 3 **MFC drawer** - roll runners, max load 25 kg, 80% extractio
- 4 **Sliding pencil tray** - MFC 18 mm
- 5 **Pencil tray** - plastic, colour: black
- 6 **Central lock** - foldable key
- 7 **Castors** - Ø50 mm, two with brakes
- 8 **Optional cushion SKP13** - for pedstal, max load 120 kg, ordered separately



ATTENTION - Sitting on the pedestal KKT11 possible only after mounting the cushion (SKP13); the pedestal with cushion is intended for sitting only - moving the pedestal while sitting may result in damaging the castors

### Mobile pedestals

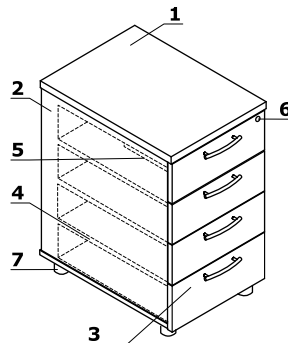
- 1 **Top** - MFC 18 mm, ABS edge 2 mm
- 2 **Body** - MFC 18 mm, ABS edge 2 mm
- 3 **Front** - MFC 18 mm, ABS edge 2 mm
- 4 **MFC drawer** - roll runners, max load 25 kg, 80% extractio
- 5 **Sliding pencil tray** - MFC 18 mm
- 6 **Pencil tray** - plastic, colour: black
- 7 **Suspension files drawer** - max load 30 kg, 80% extraction; A4 folders can be situated perpendicularly to the front
- 8 **Central lock** - foldable key
- 9 **Castors** - Ø50 mm, two with brakes



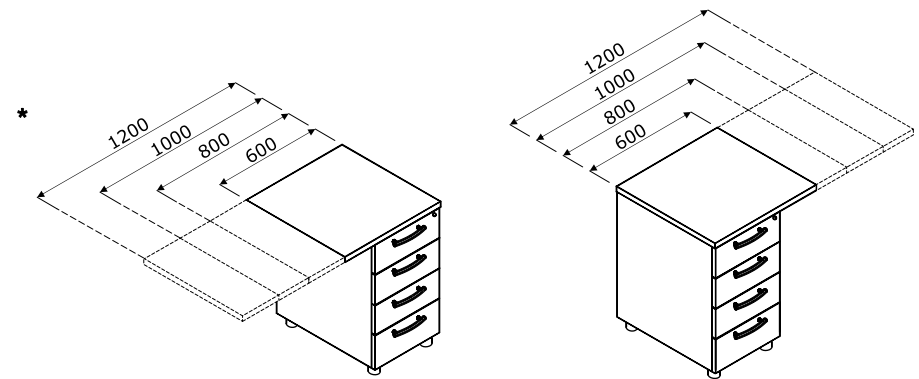
ATTENTION - sitting on the pedestal KKT12, KKT13 possible only after mounting the cushion (SKP13); the pedestal with cushion is intended for sitting only - moving the pedestal while sitting may result in damaging the castors

### Stationary pedestals

- 1 **Top** - MFC 28 mm, ABS edge 2 mm
- 2 **Body** - MFC 18 mm, ABS edge 2 mm
- 3 **Front** - MFC 18 mm, ABS edge 2 mm
- 4 **MFC drawer** - roll runners, max load 25 kg, 80% extractio
- 5 **Pencil tray** - plastic, colour: black
- 6 **Central lock** - foldable key
- 7 **Leveling** - 10 mm range



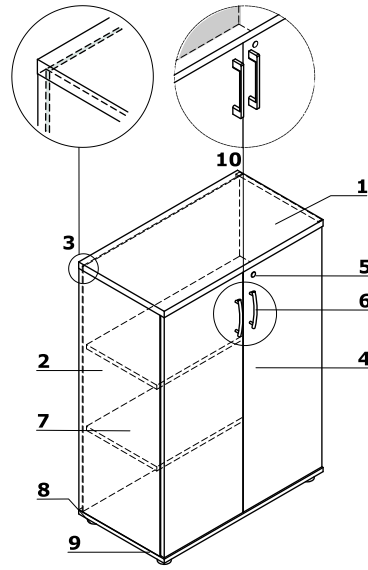
### Pedestals with top overhang - dimensions (mm)



\* Pedestal with top overhang

**Storages**

- 1 Top** - MFC 28 mm, ABS edge 2 mm
- 2 Body** - MFC 18 mm, ABS edge 2 mm
- 3 Back MFC** - 3 mm
- 4 Front** - MFC 18 mm, ABS edge 2 mm, plain hinge 110°
- 5 Patent lock**
- 6 Aluminum handle**
- 7 Shelf** - MFC 18 mm, protection against accidental falling-out, ABS edge 2 mm, max load 30 kg
- 8 Leveling feet 27 mm** - range 5 mm
- 9 Base** - MFC 18 mm, ABS edge 2 mm
- 10 OPTION WITH EXTRA CHARGE** - handle Pro - colour: white, black, aluminium



ATTENTION - Raw 3 mm HDF is visible on the back

**Additional elements for storages**

- 1 KS300**
  - glass door 30H
  - frosted tempered glass 4 mm, with aluminum frame
- 2 KS310**
  - glass door 30H
  - transparent tempered glass 4 mm

