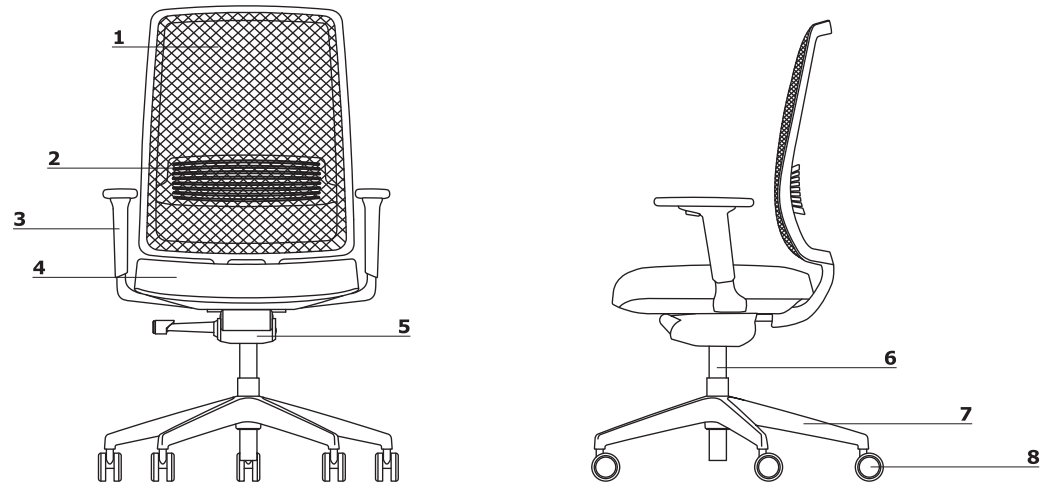
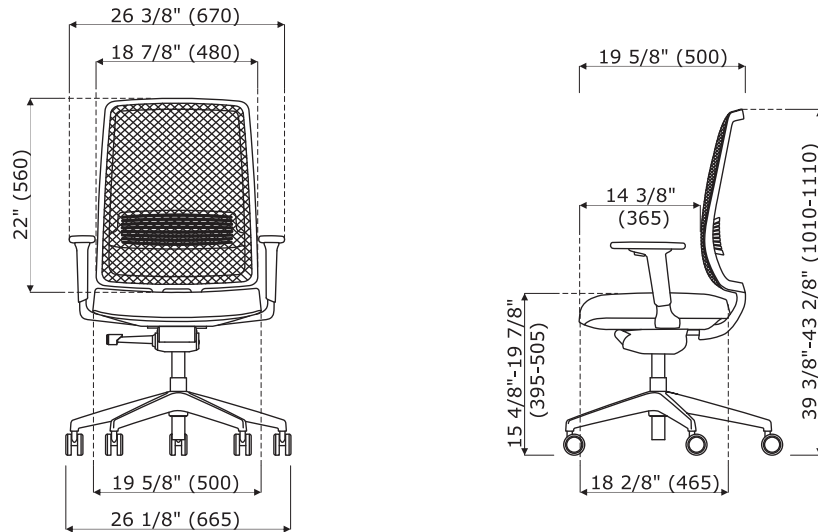


Technical specification

- 1 **Backrest** - mesh, colour: black
- 2 **Lumbar support** - manual height adjustable 3" (75 mm)
- 3 **Armrests 1D** - polyamide, colour: black; height adjustment 2 3/8" (60 mm)
 - OPTION WITH EXTRA CHARGE - Armrest 3D - soft TPU armrest tops, colour: black; height adjustment 2 3/8" (60 mm); horizontal adjustment 2" (50 mm); depth adjustment 2" (50 mm)
- 4 **Seat** - moulded foam, density of 55 kg/m³, 2 3/8" (60 mm) thick; upholstered
- 5 **Mechanism** - Auro Synchro
- 6 **Actuator** - steel gas spring, adjustment range 4 3/8" (110 mm), color: black
- 7 **Base** - 5-star, polypropylene, Ø=26 6/8" (680 mm), h=4 7/8" (124 mm)
- 8 **Castors** - Ø 2 4/8" (Ø 65 mm), for soft floors PP+PA , color: black; OPTION WITH EXTRA CHARGE - for hard floors PP+PA, color: black



Dimensions (inch/mm)



Mechanism

AUTO SYNCHRO

- synchronized automated regulation chair back press mechanism
- designed for usage 45 and 120kg
- allows the backrest to tilt from 0° to 20° and the seat to tilt from 0° to 6° at the same time
- possibility to lock the backrest in 5 positions

