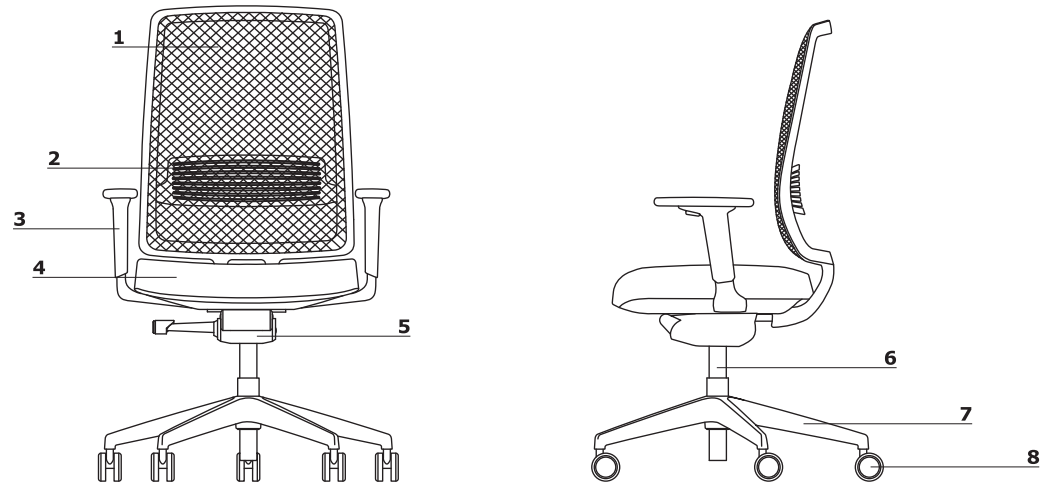
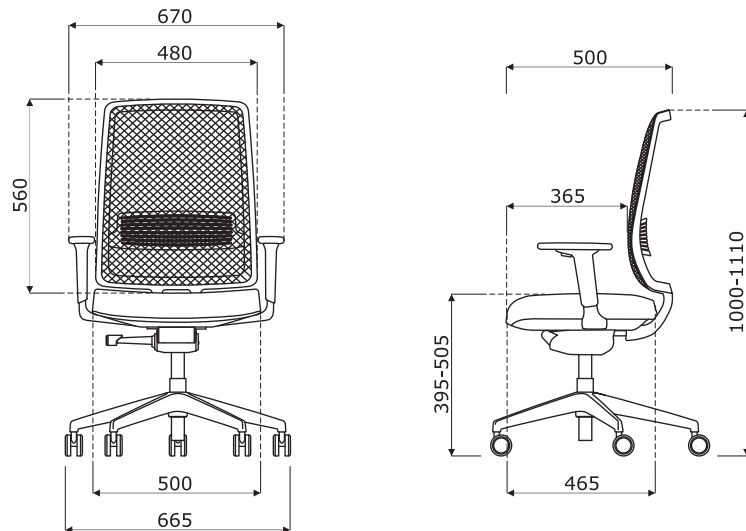


## Technical specification

- 1 **Backrest** - mesh, colour: black
- 2 **Lumbar support** - manual height adjustable (75 mm)
- 3 **Armrests 1D** - polyamide, colour: black; height adjustment 60 mm
- OPTION WITH EXTRA CHARGE - Armrest 3D - soft TPU armrest tops, colour: black; height adjustment 60 mm; horizontal adjustment 50 mm; depth adjustment 50 mm
- 4 **Seat** - moulded foam, density of 55 kg/m<sup>3</sup>, 60 mm thick; upholstered
- 5 **Mechanism** - Auro Synchro
- 6 **Actuator** - steel gas spring; adjustment range 110 mm; colour: black
- 7 **Base** - 5-star, polypropylene, Ø=680 mm, h=124 mm
- 8 **Castors** - Ø65 mm, for soft floors PP+PA, colour: black; OPTION WITH EXTRA CHARGE - for hard floors PP+PA, colour: black



## Dimensions (mm)



## Mechanism

### AUTO SYNCHRO

- synchronized automated regulation chair back press mechanism
- designed for usage 45 and 120kg
- allows the backrest to tilt from 0° to 20° and the seat to tilt from 0° to 6° at the same time
- possibility to lock the backrest in 5 positions

