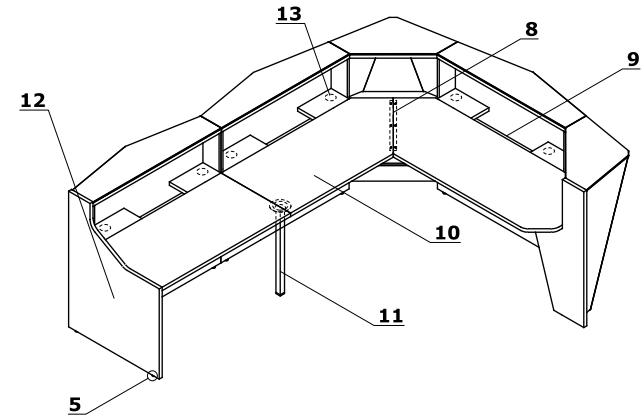
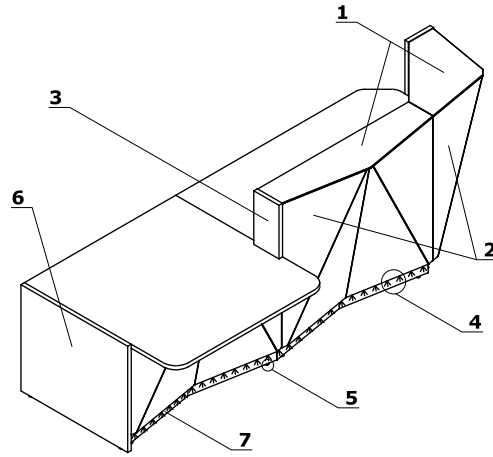
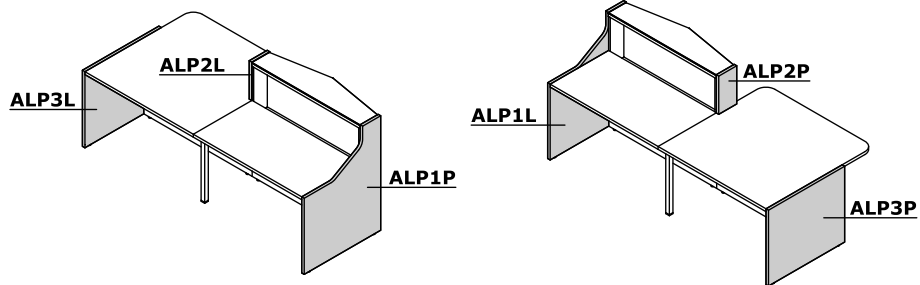


Technical specification

- 1 Top** - MFC 1 1/8" (28 mm), tempered glass 3/8" (8 mm)
- 2 Front** - MFC 4/8" (12 mm) + Glass LACOBEL 1/8" (4 mm)
- 3 Side panel linking low and heigh fronts** - MFC 1 1/8" (28 mm), ABS edge 1/8" (2 mm)
- 4 LED illumination** - at the full length of the reception desk, cold white color (verging on the blue shade)
- 5 Leveling** - 2/8" (5 mm) range
- 6 Low side panel** - MFC 1 1/8" (28 mm), ABS edge 1/8" (2 mm)
- 7 Kick plate** - HPL - brushed aluminum
- 8 Fixing flat bar**
- 9 Monitor shelf** - MFC 1 1/8" (28 mm)
- 10 Worktop** - MFC 1 1/8" (28 mm), ABS edge 1/8" (2 mm), fitted with 2 MFC-caps
- 11 Supporting leg** - NG41 - powder coated steel, required for connecting the tops
- 12 High side panel** - MFC 1 1/8" (28 mm), ABS edge 1/8" (2 mm)
- 13 Cable grommets** - Ø3 1/8 (Ø80 mm)



Ending elements application



Dimensions (inch/mm)

