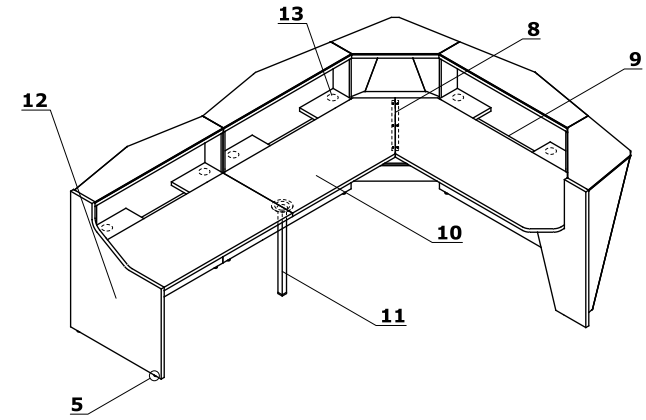
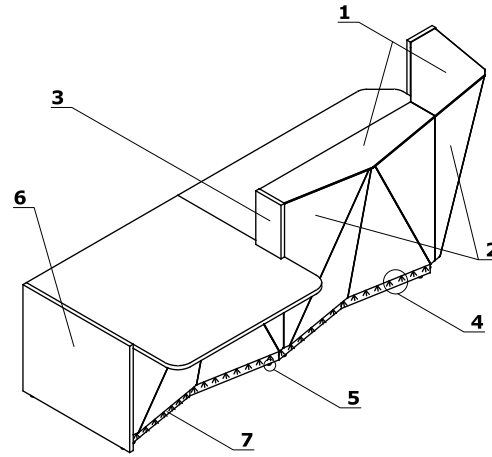
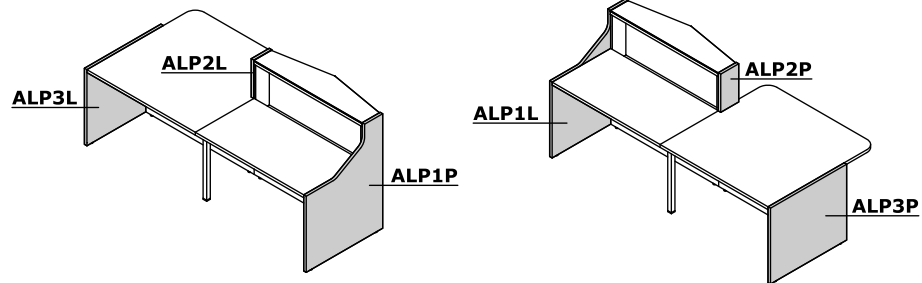


## Technical specification

- 1 Top** - MFC 28 mm, tempered glass 8 mm
- 2 Front** - MFC 12 mm + Glass LACOBEL 4 mm
- 3 Side panel linking low and high fronts**  
- MFC 28 mm, ABS edge 2 mm
- 4 LED illumination** - at the full length of the reception desk, cold white color (verging on the blue shade);
- 5 Leveling** - 5 mm range
- 6 Low side panel** - MFC 28 mm, ABS edge 2 mm
- 7 Kick plate** - HPL - brushed aluminium
- 8 Fixing flat bar**
- 9 Monitor shelf** - MFC 28 mm
- 10 Worktop** - MFC 28 mm, ABS edge 2 mm, fitted with 2 MFC-caps
- 11 Supporting leg** - NG41 - powder coated steel, required for connecting the tops
- 12 High side panel** - MFC 28 mm, ABS edge 2 mm
- 13 Cable grommets** - Ø80 mm



## Ending elements application



Dimensions (mm)

